

# THREE CIRCUIT 600MM 15W DIMMABLE TRACK LIGHT

Web: [www.havitcommercial.com.au](http://www.havitcommercial.com.au)  
 Email: [sales@havitcommercial.com.au](mailto:sales@havitcommercial.com.au)  
 Phone: 02 9381 8383

ADDRESS: 8/133 Beauchamp Road, Matraville, N.S.W., 2036



Compatible Accessories



Warranty T & Cs



Website



## THREE CIRCUIT 15W TRACK HEADS

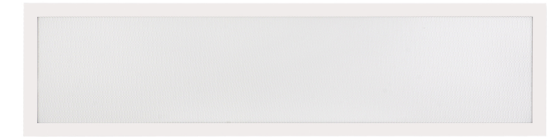
MATERIAL	ALUMINIUM
COLOUR / FINISH	MATT BLACK   MATT WHITE
TRACK TYPE	THREE CIRCUIT
COLOUR TEMP	3000K   4000K   5700K
LUMEN OUTPUT	1235LM   1300LM   1240LM
INPUT VOLTAGE	240V AC
BUILT IN LED	15W LED
DIMMING	TRIAC DIMMABLE
CRI	90+
BEAM ANGLE	90°
UGR RATING	<24
LAMP EXPECTANCY	>50000HRS*
SDCM	<4
IP RATING	IP20
OPERATING TEMPERATURE	-10° TO 40° CELCIUS
LED CHIP TYPE	EPISTAR
WARRANTY	5 YEARS REPLACEMENT*



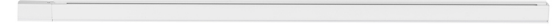
BLACK THREE CIRCUIT TRACK



HCP-102310 1M | HCP-102320 2M | HCP-102330 3M



WHITE THREE CIRCUIT TRACK



HCP-103310 1M | HCP-103320 2M | HCP-103330 3M

## PRODUCT ORDERING

### ALUMINIUM BLACK

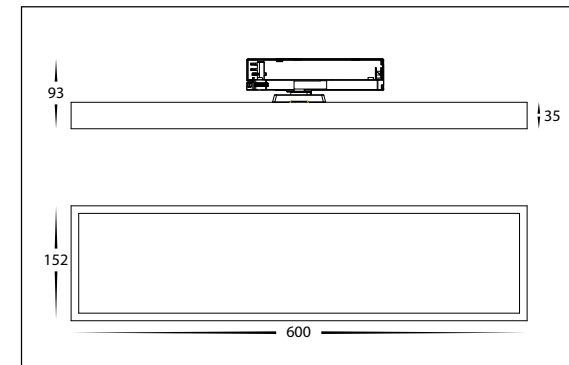
HCP-1023401	3000K	1235LM
	4000K	1300LM
	5700K	1240LM

### ALUMINIUM WHITE

HCP-1033401	3000K	1235LM
	4000K	1300LM
	5700K	1240LM



## DIMENSIONS



## COMPATIBLE ACCESSORIES

### ALUMINIUM BLACK

	HCP-102300-LSC	Black L-Shape Connector		HCP-103300-LSC	White L-Shape Connector
	HCP-102300-SJ	Black Straight Joiner		HCP-103300-SJ	White Straight Joiner

### ALUMINIUM WHITE

## RELATED PRODUCTS

THREE CIRCUIT 1200MM 30W DIMMABLE TRACK LIGHT	
	HCP-1023411
	HCP-1033411

SCAN QR CODE ABOVE TO VIEW ALL COMPATIBLE ACCESSORIES.

\*SEE WARRANTY TERMS & CONDITIONS FOR MORE INFORMATION