

# 10W SINGLE CIRCUIT ADJUSTABLE BEAM ANGLE TRACK LIGHT

Web: [www.havitcommercial.com.au](http://www.havitcommercial.com.au)  
Email: [sales@havitcommercial.com.au](mailto:sales@havitcommercial.com.au)  
Phone: 02 9381 8383

ADDRESS: 8/133 Beauchamp Road, Matraville, N.S.W., 2036



Warranty T & Cs





Website

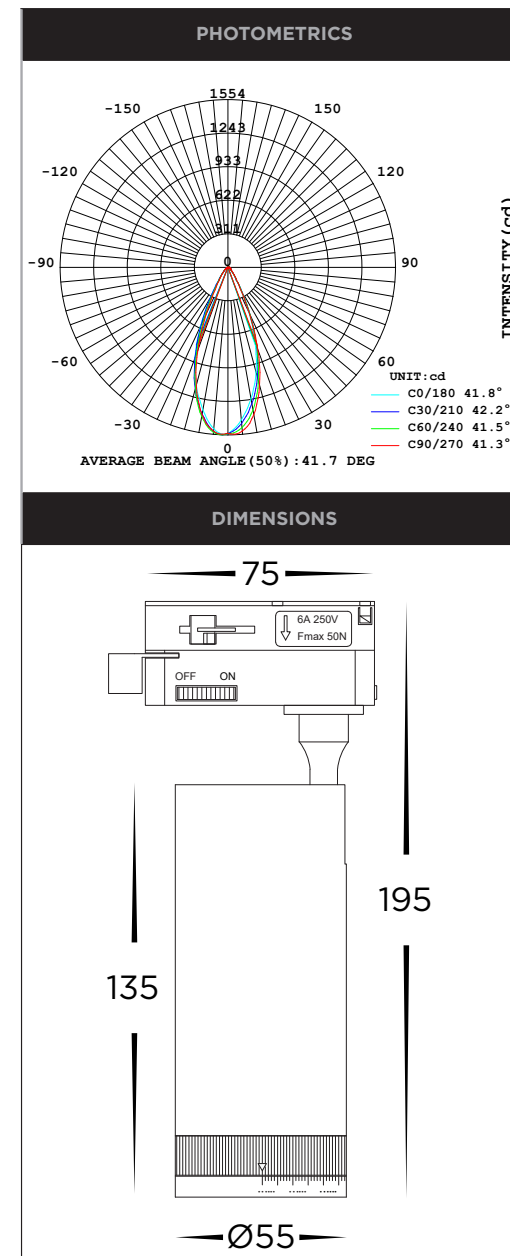


PRODUCT SPECIFICATIONS	
MATERIAL	ALUMINIUM
COLOUR / FINISH	BLACK OR WHITE
TRACK TYPE	SINGLE CIRCUIT
COLOUR TEMP	2700K   3000K   4000K   5000K   5500K
LUMENS	750LM   780LM   850LM   900LM   950LM
LAMP EXPECTANCY	>50000hrs*
INPUT VOLTAGE	240V
LAMP BASE	BUILT IN 10W LED
DIMMING	TRIAC DIMMABLE
CRI	RA >90
BEAM ANGLE	16° - 60° (ADJUSTABLE)
IK RATING	IK04
IP RATING	IP20
SDCM	<6
UGR	<25
WARRANTY	5 YEARS REPLACEMENT*



## PRODUCT ORDERING

BLACK			
	HCP-1021015	2700K 3000K 4000K 5000K 5700K	750LM 780LM 850LM 900LM 950LM
WHITE			
	HCP-1031015	2700K 3000K 4000K 5000K 5700K	750LM 780LM 850LM 900LM 950LM



\*See Warranty Terms & Conditions for more information.

# SINGLE CIRCUIT TRACK SYSTEM ACCESSORIES

Web: [www.havitcommercial.com.au](http://www.havitcommercial.com.au)  
Email: [sales@havitcommercial.com.au](mailto:sales@havitcommercial.com.au)  
Phone: 02 9381 8383

ADDRESS: 8/133 Beauchamp Road, Matraville, N.S.W., 2036



Warranty T & Cs



Website



## OPTIONAL HAVIT COMPATIBLE ACCESSORIES

IMAGE	PART NUMBER	DESCRIPTION				LINE DRAWING
	HCP-102110	1000MM BLACK SINGLE CIRCUIT TRACK INC. LIVE END & END CAP			HCP-103110	1000MM WHITE SINGLE CIRCUIT TRACK INC. LIVE END & END CAP
	HCP-102120	2000MM BLACK SINGLE CIRCUIT TRACK INC. LIVE END & END CAP			HCP-103120	2000MM WHITE SINGLE CIRCUIT TRACK INC. LIVE END & END CAP
	HCP-102130	3000MM BLACK SINGLE CIRCUIT TRACK INC. LIVE END & END CAP			HCP-103130	3000MM WHITE SINGLE CIRCUIT TRACK INC. LIVE END & END CAP
	HCP-102100-LE	BLACK LIVE END			HCP-103100-LE	WHITE LIVE END
	HCP-102100-CF	BLACK CENTRE FEED			HCP-103100-CF	WHITE CENTRE FEED
	HCP-102100-SJ	BLACK STRAIGHT JOINER			HCP-103100-SJ	WHITE STRAIGHT JOINER
	HCP-102100-LSC	BLACK L-SHAPE CONNECTOR			HCP-103100-LSC	WHITE L-SHAPE CONNECTOR
	HCP-102100-TSC	BLACK T-SHAPE CONNECTOR			HCP-103100-TSC	WHITE T-SHAPE CONNECTOR
	HCP-102100-XSC	BLACK X-SHAPE CONNECTOR			HCP-103100-XSC	WHITE X-SHAPE CONNECTOR
	HCP-102100-FC	BLACK FLEXIBLE L-SHAPE CONNECTOR			HCP-103100-FC	WHITE FLEXIBLE L-SHAPE CONNECTOR
	HCP-102100-EC	BLACK END CAP			HCP-103100-EC	WHITE END CAP
	HCP-480001-BLK	2X 2000MM BLACK SUSPENSION KITS			HCP-480001-WHT	2X 2000MM WHITE SUSPENSION KITS

\*See Warranty Terms & Conditions for more information.