

Ostra TRI Colour LED Oyster Light

PRODUCT SPECIFICATIONS

Name	Ostra
Material	Aluminium + Polycarbonate
Colour	White
IP Rating	IP54
Lamp Base	Built in LED (Replaceable Panel)
CRI	> 80
Dimmable	Yes (Triac)
Warranty	3 Years Replacement



COLOUR TEMP

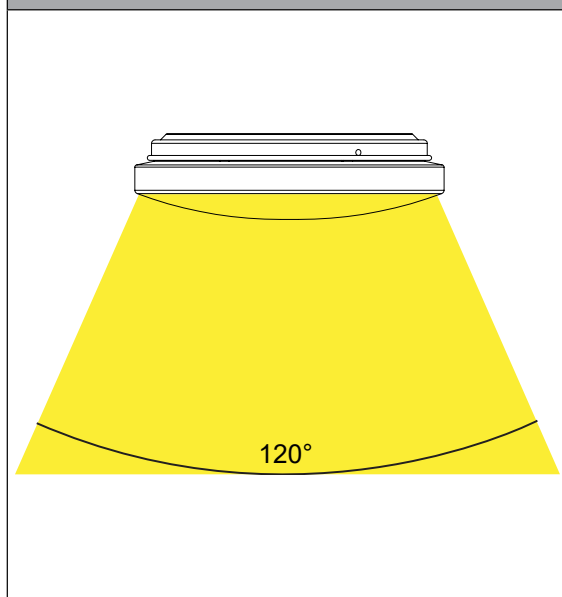
IP RATING

APPROVALS

Tri-Colour By Havit

3000K
4000K
5500K

LIGHT DISTRIBUTION



DIMENSIONS

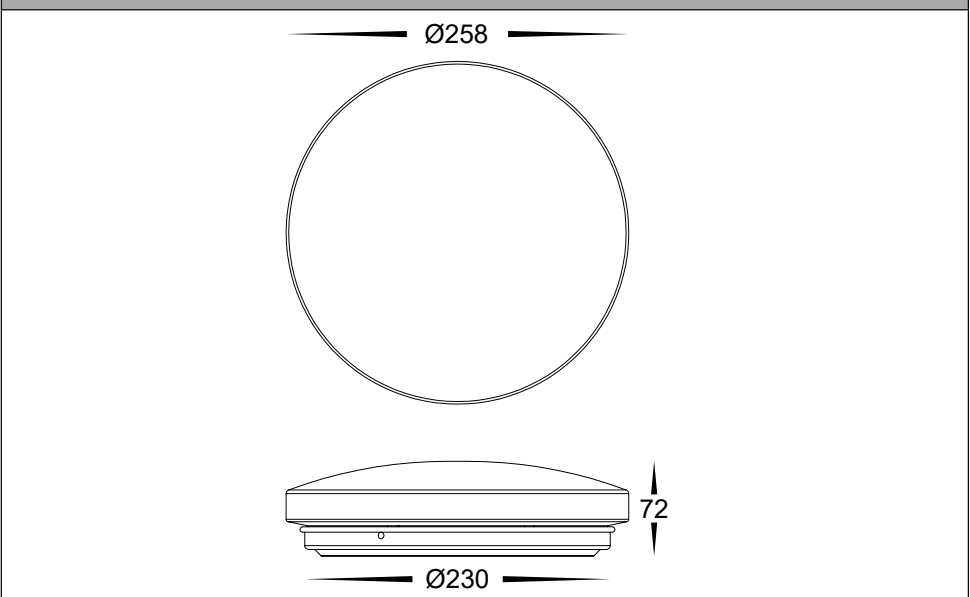


IMAGE	PART NUMBER	COLOUR TEMP	LUMENS	INPUT VOLTAGE	BEAM ANGLE	INCLUDED LED
	HV5884T-WHT	3000K 4000K 5000K	675lm 765lm 720lm	240v AC	120°	TRI Colour 12w Built in LED
	HV5880T-12W	3000K 4000K 5000K	1000lm 1150lm 1140lm	240v AC	120°	TRI Colour 12w Built in LED

For More Information Contact Havit Lighting

143 Beauchamp Road
Matraville NSW 2036
Australia

Tel: 02 9381 83000
Fax: 02 9666 888
Email: sales@havit.com.au
Web: www.havit.com.au



Warranty Terms & Conditions



Additional Information

Ostra TRI Colour LED Oyster Light

PRODUCT SPECIFICATIONS

Name	Ostra
Material	Aluminium + Polycarbonate
Colour	White
IP Rating	IP54
Lamp Base	Built in LED (Replaceable Panel)
CRI	> 80
Dimmable	Yes (Triac)
Warranty	3 Years Replacement



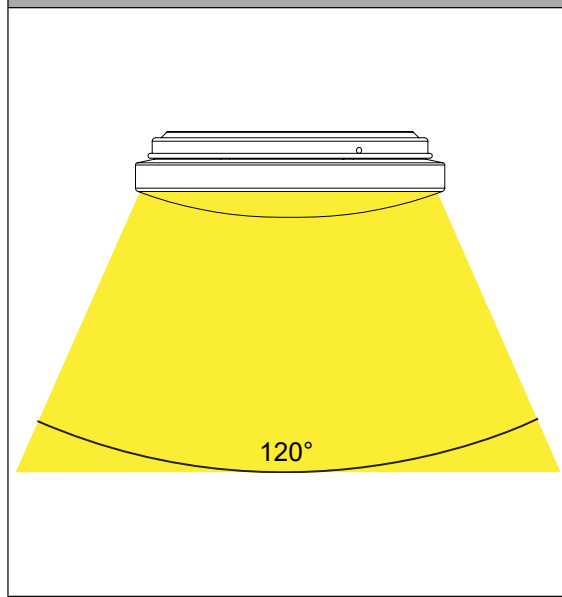
COLOUR TEMP

IP RATING

APPROVALS

<p>Tri-Colour By Havit</p> <p>3000K</p> <p>4000K</p> <p>5500K</p>		
---	--	--

LIGHT DISTRIBUTION



DIMENSIONS

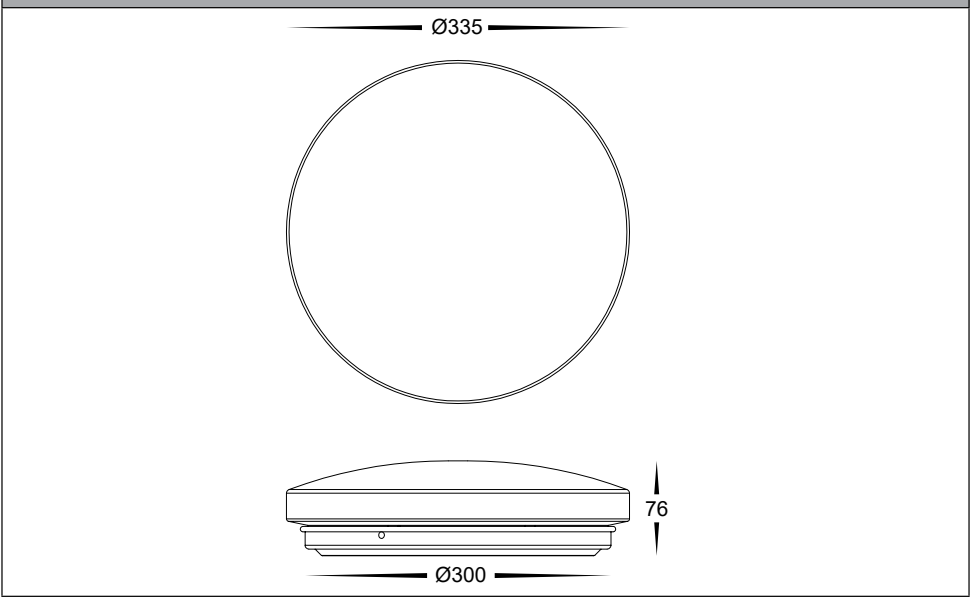


IMAGE	PART NUMBER	COLOUR TEMP	LUMENS	INPUT VOLTAGE	BEAM ANGLE	INCLUDED LED
	HV5885T-WHT	3000K 4000K 5000K	1075lm 1300lm 1185lm	240v AC	120°	TRI Colour 18w Built in LED
	HV5880T-18W	3000K 4000K 5000K	1500lm 1770lm 1570lm	240v AC	120°	TRI Colour 18w Built in LED

For More Information Contact Havit Lighting

143 Beauchamp Road
Matraville NSW 2036
Australia

Tel: 02 9381 83000
Fax: 02 9666 888
Email: sales@havit.com.au
Web: www.havit.com.au



Warranty Terms & Conditions



Additional Information

Ostra TRI Colour LED Oyster Light

PRODUCT SPECIFICATIONS

Name	Ostra
Material	Aluminium + Polycarbonate
Colour	White
IP Rating	IP54
Lamp Base	Built in LED (Replaceable Panel)
CRI	> 80
Dimmable	Yes (Triac)
Warranty	3 Years Replacement



COLOUR TEMP

IP RATING

APPROVALS

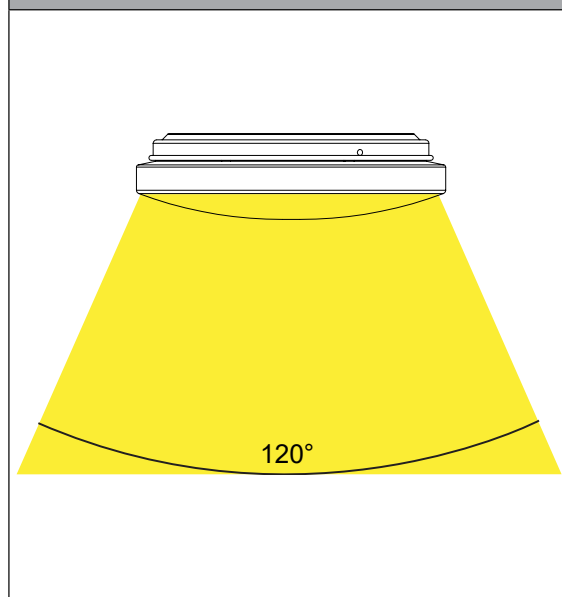
Tri-Colour By Havit

3000K

4000K

5500K

LIGHT DISTRIBUTION



DIMENSIONS

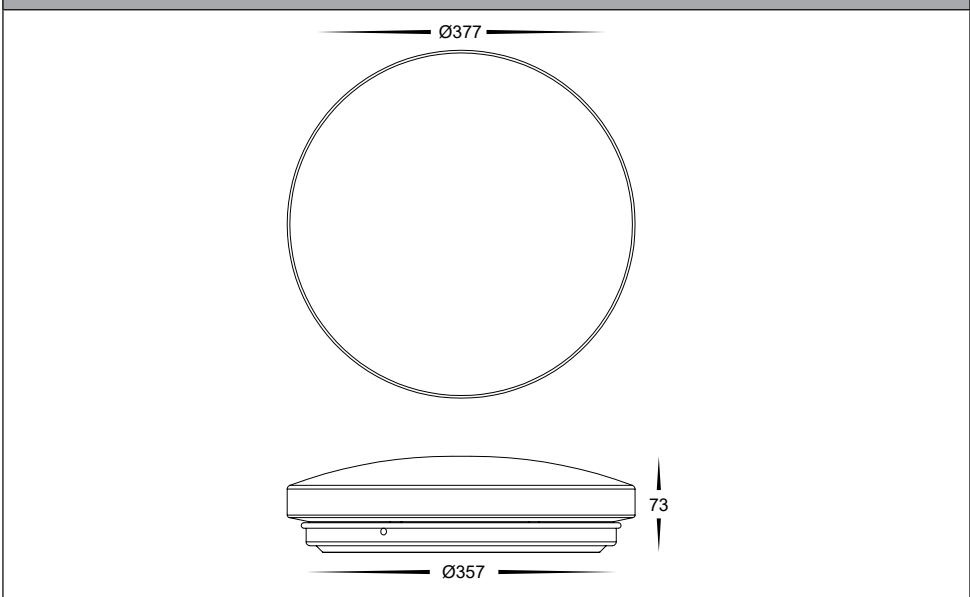


IMAGE	PART NUMBER	COLOUR TEMP	LUMENS	INPUT VOLTAGE	BEAM ANGLE	INCLUDED LED
	HV5886T-WHT	3000K 4000K 5000K	1075lm 1300lm 1185lm	240v AC	120°	TRI Colour 28w Built in LED
	HV5880T-28W	3000K 4000K 5000K	2300lm 2785lm 2500lm	240v AC	120°	TRI Colour 28w Built in LED

For More Information Contact Havit Lighting

143 Beauchamp Road
Matraville NSW 2036
Australia

Tel: 02 9381 83000
Fax: 02 9666 888
Email: sales@havit.com.au
Web: www.havit.com.au



Warranty Terms & Conditions



Additional Information