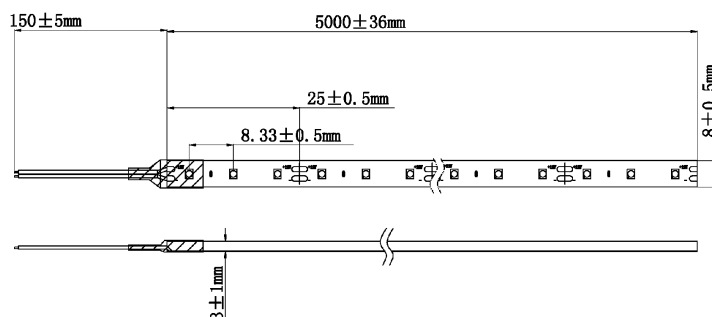


PRODUCT SPECIFICATIONS

- Watts Per Metre:** 9.6w
- Input Voltage:** 12v DC
- Colour Temp:** 4000k
- CRI:** >80
- Beam Angle:** 120°
- IP Rating:** IP54
- Size:** 8mm x 3mm
- PCB:** 3oz
- Dimmable:** Yes
- LED Chip Type:** 3528
- LED Chips Per Metre:** 120 LED'S
- Lumens Per Metre*:** 820lm
- Maximum Length:** 5000mm
- Cutting Increments:** Every 25mm
- Wiring:** Parallel
- Mounting:** Aluminium Profile or Heat Sink
- Warranty:** 2 Years Replacement**



DIMENSIONS



IP RATING



APPROVALS



Product Ordering

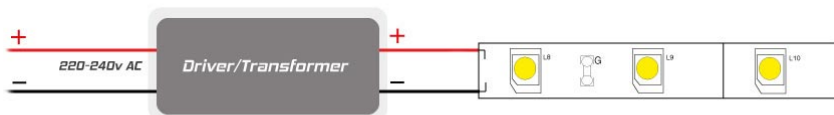
IMAGE

PART NUMBER



HV9723-IP54-120-4K

SAMPLE INSTALLATION DIAGRAM



Must be used with a suitable 12v DC LED Driver

* Lumens measured @ source

**See Warranty Terms and Conditions for more information

For more information contact Havit Lighting

ADDRESS:
143 Beauchamp Road
Matraville NSW 2036
Australia

Tel: 02 9381 8300
Fax: 02 9666 8881
Email: sales@havit.com.au
web: www.havit.com.au