

LT-704-5A

1-10V LED Dimming Driver

0~240W .. 480W (0~5A)x4CH 12~24V

- Dimming interface: 0-1 OV, 1-1 OV, 10V PWM, push button.
- PWM digital dimming, no alter LED color rendering index.
- Dimming range: 0-100%, LED start at 0.1 % possible.
- Max. current output: 20A.
- Short circuit / Over load protection.
- Full protective plastic housing.
- Suitable for indoor environments.

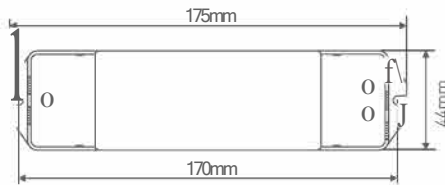


Main Characteristics

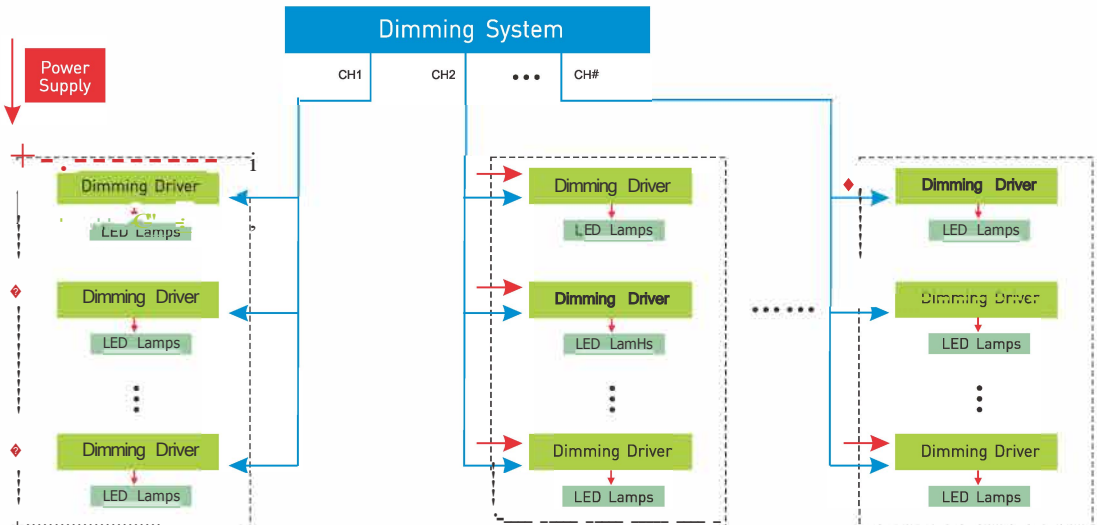
Dimming Interface: 0-1 OV, 1-1 OV, 10V PWM, push button
 Input Voltage: 12-24V DC
 Output Voltage: 12-24V DC
 Output: 5Ax4CH Max. 20A
 Max. Output Power: 0-240W ... 480W

Dimming Range: 0-100%, LED start at 0.1 % possible.
 Working Temperature: -30°C-55°C
 Product Size: L175xW44xH30(mm)
 Package Size: L178xW48xH33(mm)
 Weight[G.W.]: 150g

Dimensions

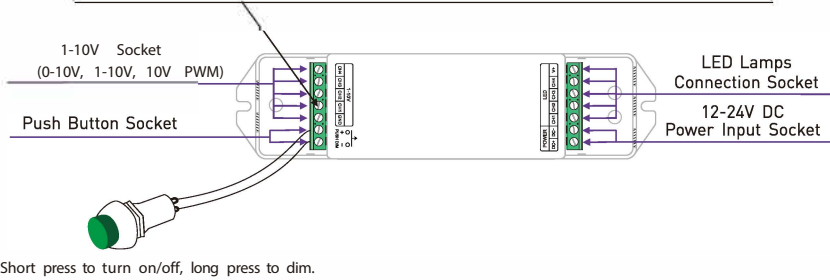


System Connection Diagram:

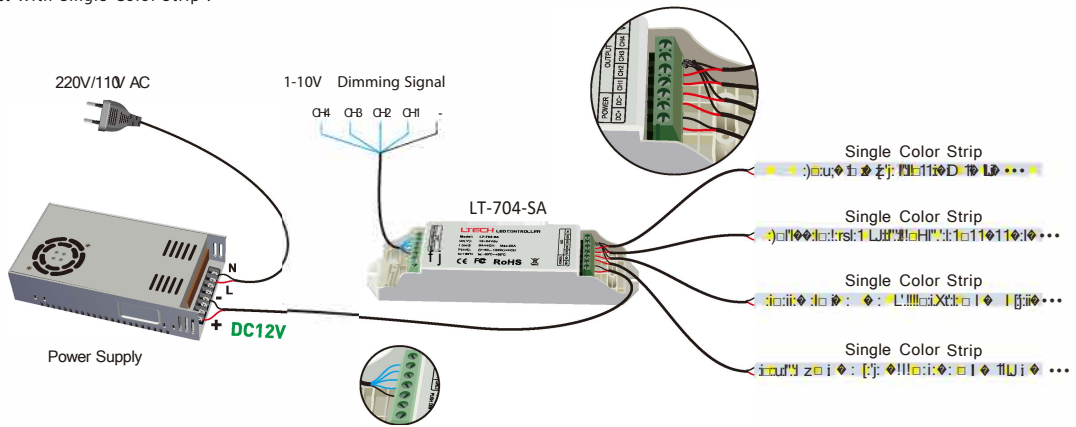


Connections

The default design doesn't support the 1-10V and push dimming that work together.
If you want them to work together, please mark down when placing an order.



Connect With Single Color Strip :



Connect With RGBW Strip :

