

## LED Wireless Driver

- RF 2.4GHz wireless signal, no need signal cable.
- Dimming, CT, RGB, RGBW LED lights can be controlled.
- Compatible with F series remote.
- Compatible with EX series touch panel.
- Support APP and intelligent speaker control if equipped with wifi-108 gateway.  
(note: only with L-BUS identity can support advanced mode.)



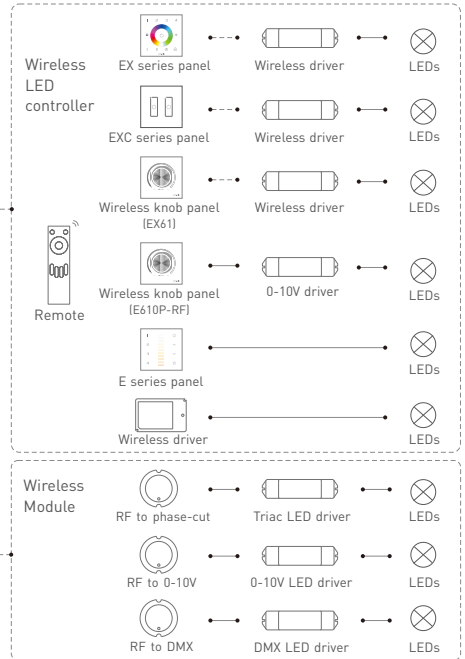
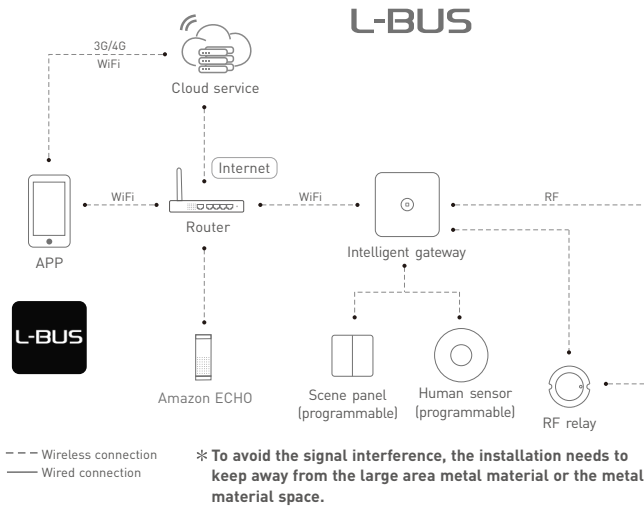
F4-3A



F4-5A/F4-CC



### System diagram

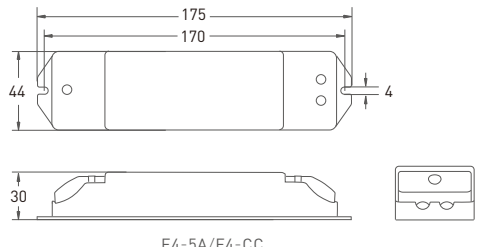
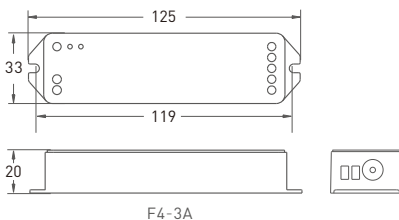


### Specification

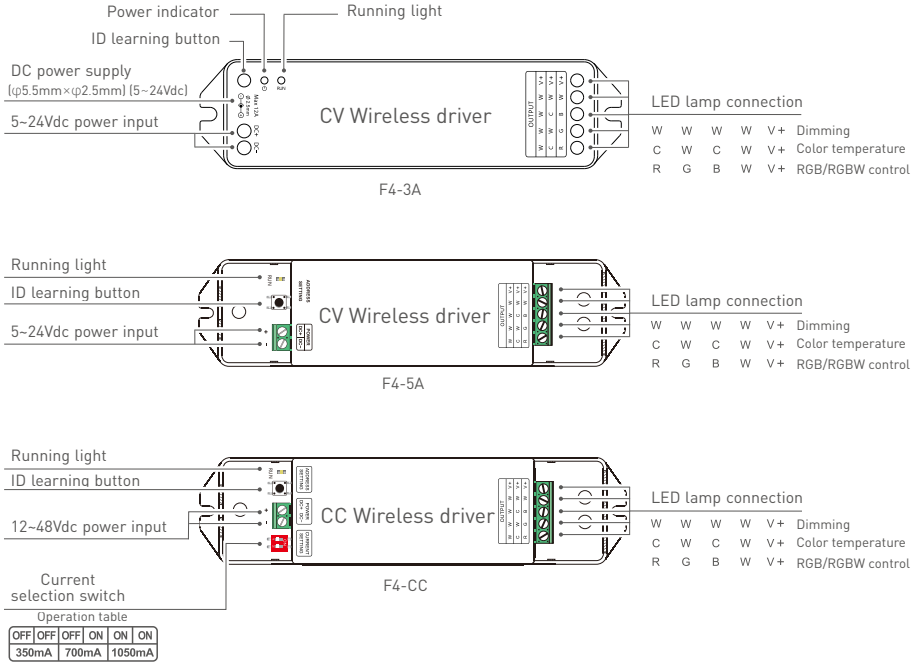
Model	F4-3A	F4-5A	F4-CC
Name	CV LED wireless driver		CC LED wireless driver
Wireless signal	RF 2.4GHz		
Input voltage	5~24Vdc		12~48Vdc
Output voltage	5~24Vdc		3~46Vdc
Current load	3A × 4CH Max. 12A	5A × 4CH Max. 20A	CC 350/700/1050mA × 4CH
Output power	(0~15W...72W) × 4CH Max. 288W	(0~25W...120W) × 4CH Max. 480W	(1.05W~48.3W) × 4CH Max. 193.2W
Protection	Reverse connection protection	Over current / Over-heat / Short circuit / Open circuit / Reverse connection protection, auto recovers.	
Working temperature	-30°C~55°C		
Product size	L125×W33×H20(mm)	L175×W44×H30(mm)	
Package size	L127×W35×H22(mm)	L178×W48×H33(mm)	
Weight(G.W.)	60g	150g	165g

### Product size

Unit: mm



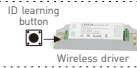
## Terminal description



## Match code (ID learning button method)

Step 1:

Short press "ID learning button" on driver, the lamps flicker, please complete step 2 within 15 seconds.



## Match code (power on method)

Step 1:

The driver power off.



Step 2:

### Match with F series remote:

Single zone remote: Long press "On/Off" key.  
Multi-zone remote: Long press the matching zone's "ON" & "OFF" keys simultaneously.



### Match with EX series panel:

Single zone panel: Long press "On/Off" key, then press any key.  
Multi-zone panel: Long press "On/Off" key, then press the matching zone key.  
\* Please match code when panel is power-on.



### Match with WiFi gateway:

Turn on APP, enter "zone set" interface, click the right top "MATCH" key, then follow the prompts.



Step 2:

### Match with F series remote:

Single zone remote: Hold down "On/Off" key, meanwhile the driver power on.  
Multi-zone remote: Hold down the matching zone's "On" & "Off" keys simultaneously, meanwhile the driver power on.



### Match with EX series panel:

- Single zone panel: Long press "ON/OFF" key until all indicator light flicking.  
Multi-zone panel: Long press "ON/OFF" key until all zone's indicator light flicking.
- The driver power on, the lamps flicker slowly, please complete step C within 15s.
- Single zone panel: press any key on panel.  
Multi-zone panel: press the matching zone key.  
\* Please match code when panel is power-on.



### Match with WiFi gateway:

Turn on APP, enter "zone set" interface, click the right top "MATCH" key, then follow the prompts.



Step 3:

The lamps of driver flicker quickly and then stop flickering (F4-5A and F4-CC produce a long beep), match code successfully.

Step 3:

The lamps of driver flicker quickly and then stop flickering (F4-5A and F4-CC produce a long beep), match code successfully.

## Clear code (ID learning button method)

Long press "ID learning button" on driver for 10 seconds, If the lamps flicker 5 times, deactivate the matching successfully.



## Clear code (power on method)

Power on and off driver continuously for 10 times(F4-5A and F4-CC produce a long beep), If the lamps flicker 5 times, deactivate the matching successfully.



\* No further notice if any changes in the manual.  
Product function depends on the goods.  
Please feel free to contact our official distributor if any question.