

PRODUCT SPECIFICATIONS

Product Code: HV9101-DX7

Material: Plastic

Colour: White

IP Rating: IP20

Dimmable: Yes

Output Signal: 2.4ghz

Transmitting

Range: Up to 30m

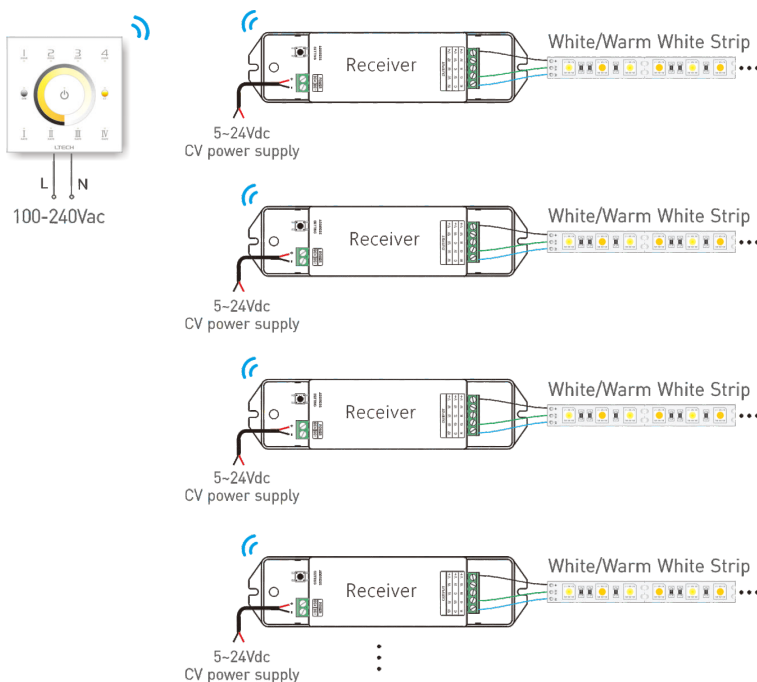
Input Voltage: 240v AC

Warranty: 2 years replacement*

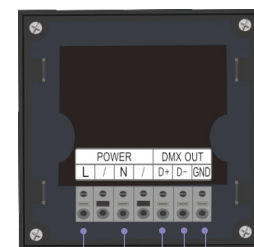


Must be used with HV9103-R4-5A

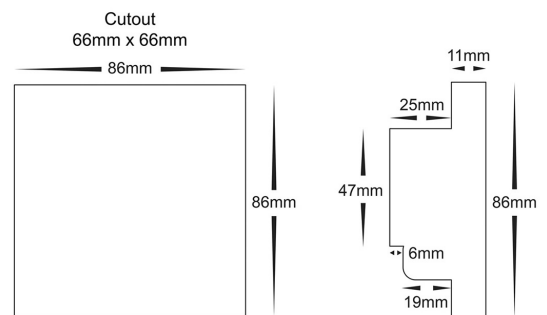
Ability to control up to 4 zones



Sample wiring diagram



100-240Vac Power Input DMX Signal Output



* See Warranty Terms and Conditions for more information