

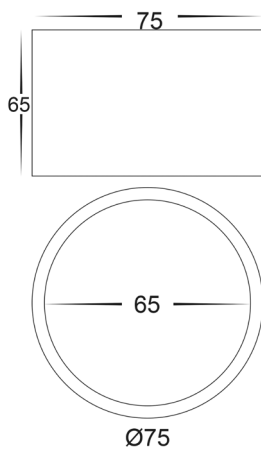
Nella Surface Mounted Downlight Installation Instructions



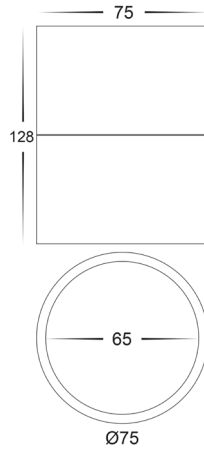
Product Specifications

Model No.	HV5802T-BLK	HV5802T-BLK-EXT	HV5802T-WHT	HV5802T-WHT-EXT
Name	Nella			
Material	Aluminium			
Colour	Black		White	
IP Rating	IP54			
Input Voltage	240v AC			
Lamp Base	Built in LED			
Lamp Wattage	1x 7w			
Colour Temp	TRI Colour - 3000k, 4000k, 5500k			
Lumens	560lm, 595lm, 630lm			
CRI	> 80			
Wiring	Parallel			
Dimmable	Yes - Triac Dimmable			
Warranty	2 Years Replacement*			

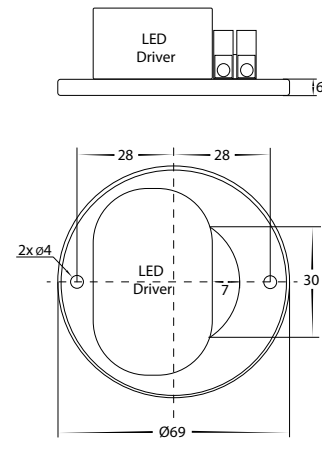
HV5802 Dimensions



HV5802-EXT Dimensions



Mounting Base Diagram



Important Safety Issues:

- This product must be installed by a qualified electrician according to AS/NZS 3000.
- Ensure all electrical mains are disconnected before any installation.
- Modification of this product will void any warranty.
- Havit Lighting does not take responsibility for wrong installation, incorrect use, or use of installation material that does not belong to the system.
- When installing low voltage fittings, Voltage to fitting must be within +or- 5% of voltage required, if not within this allowance warranty will be voided.
- Aluminium and 304SS fittings must not be installed within 2km of any salt water environments.
- When installing copper fittings, gloves must be worn to avoid any oils transferring to fitting.
- All 316 & 304 stainless steel fittings must have regular cleaning maintenance to avoid any tea staining from forming on fitting. (Warranty does not cover Tea Staining)
- All o-rings and seals must be in place correctly to maintain warranty
- This form may be updated at any time due to product improvements, please check online installation form for most current version.

Steps for Installation:

1. Make sure that the electrical circuit is free of voltage (master switch off)
2. Remove base plate by twisting anti clockwise.
3. Unplug fitting from driver and set fitting aside
4. Install base plate in desired location
5. Connect the cable: Use wire with earth, connect earth first then positive and then neutral
6. Reconnect plug to fitting.
7. Fitting is preset to 3000k, To change slide switch inside fitting to desired colour temperature
8. Reattach fitting to base plate by twisting clockwise
9. All connections must be carried out carefully, inspect all contacts before switching back on the electric circuit.

Must be installed by a licensed electrician

Contact Details:

143 Beauchamp Road
Matraville NSW 2036
Australia
Tel: 02 9381 8300
Fax: 02 9666 8881
Email: sales@havit.com.au
Web: www.havit.com.au

Warranty Terms & Conditions*



Additional Information

