

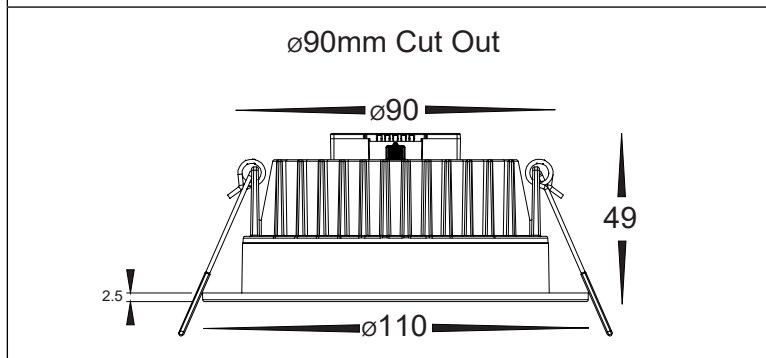
# Ora Recessed LED Downlight Installation Instructions



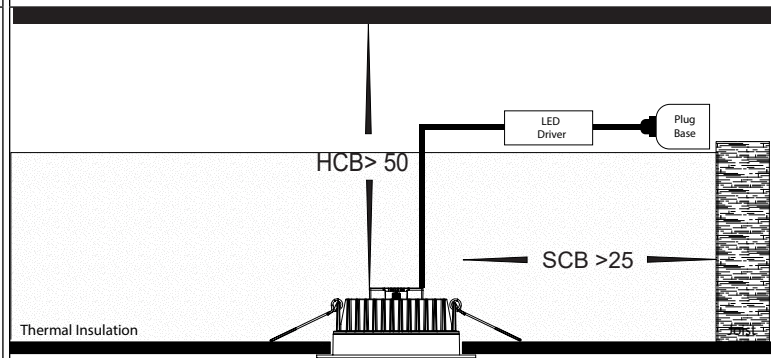
## Product Specifications

Model No.	HV5530T-BLK	HV5530T-WHT	HV5531T-BLK	HV5531T-WHT
Name	Ora			
Material	Aluminium			
Colour	Black	White	Black	White
Cut Out	90mm			
IC Rating	IC-4			
IP Rating	IP54 - Front of fitting only			
Input Voltage	240v AC			
Protection Class	2 (No Earth Required) <input type="checkbox"/>			
Lamp Base	Built in LED			
Lamp Wattage	1x 13w			
Colour Temp	TRI Colour - 3000k, 4000k, 5500k		Five Colour - 2700k, 3000k, 4000k, 5000k, 5700k	
Lumens	776lm, 905lm, 845lm		952lm, 973lm, 1072lm, 1019lm, 1135lm	
CRI	> 80			
Dimmable	Yes - Triac Dimmable			
Warranty	3 Years Replacement*			

### Dimensions:



### Dimensions:



### Important Safety Issues:

- This product must be installed by a qualified electrician according to AS/NZS 3000.
- Ensure all electrical mains are disconnected before any installation.
- Modification of this product will void any warranty.
- Havit Lighting does not take responsibility for wrong installation, incorrect use, or use of installation material that does not belong to the system.
- Aluminium and 304SS fittings must not be installed within 5km of any salt water environments.
- Only LED Fitting can be installed under insulation, LED Driver must not be covered to allow for ventilation.
- This fixture must not be installed with loose fill insulation such as macerated paper and wool. LED driver must be mounted above any insulation covering the fixture.
- These instructions may be updated at any time due to product improvements. Please visit website for most current installation instructions.

### Steps for Installation:

1. Make sure that the electrical circuit is free of voltage (master switch off)
2. Cut out hole using dimensions in table above making sure each hole is not under joists or pipes.
3. Fitting is provided with flex and plug, Plug cable into plug base installed earlier.
4. Fitting is preset to 3000k, to change slide switch on back of fitting to desired colour temperature.
5. Pull back springs on fitting and insert into hole.
6. Once fitting is in hole, release clips, These springs will hold fitting in place.
7. All connections must be carried out carefully, inspect all contacts before switching back on the electric circuit.

## Must be installed by a licensed electrician

### Contact Details:

143 Beauchamp Road  
Matraville NSW 2036  
Australia

Tel: 02 9381 8300  
Fax: 02 9666 8881  
Email: sales@havit.com.au  
Web: www.havit.com.au

### Warranty Terms & Conditions\*



### Additional Information

