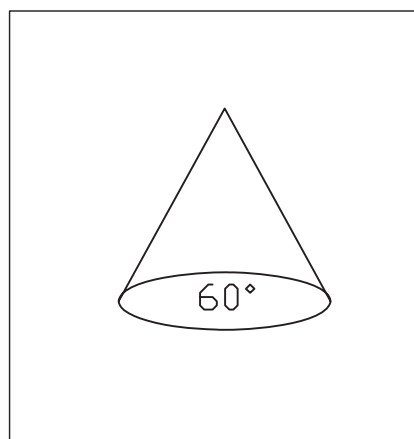
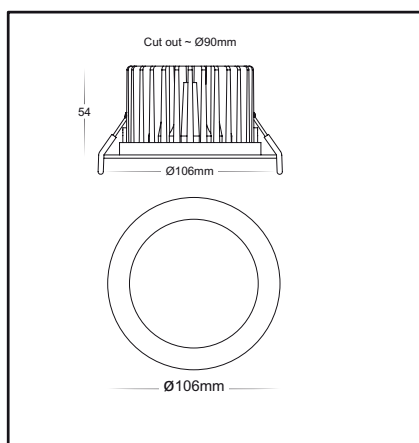


HV5530T-SS316

316 Stainless Steel Downlight/Installation Instructions



Model No.	Voltage	Power	Color	Size(DxH):mm	Material	IP Grade
HV5530T-SS316	240V	12W	3000/5500K	ø106x54	SS316+AL	IP44



Symbols



Protection against solid object greater than 1.0mm, such as a wire. Protection splashes from all directions. limited ingress permitted.



The WEEE symbol (Waste of electrical and electronic equipment) - indicating separate collection for WEEE-Waste.



Class of protection (SELV).



All material used complies with RoHS standards.

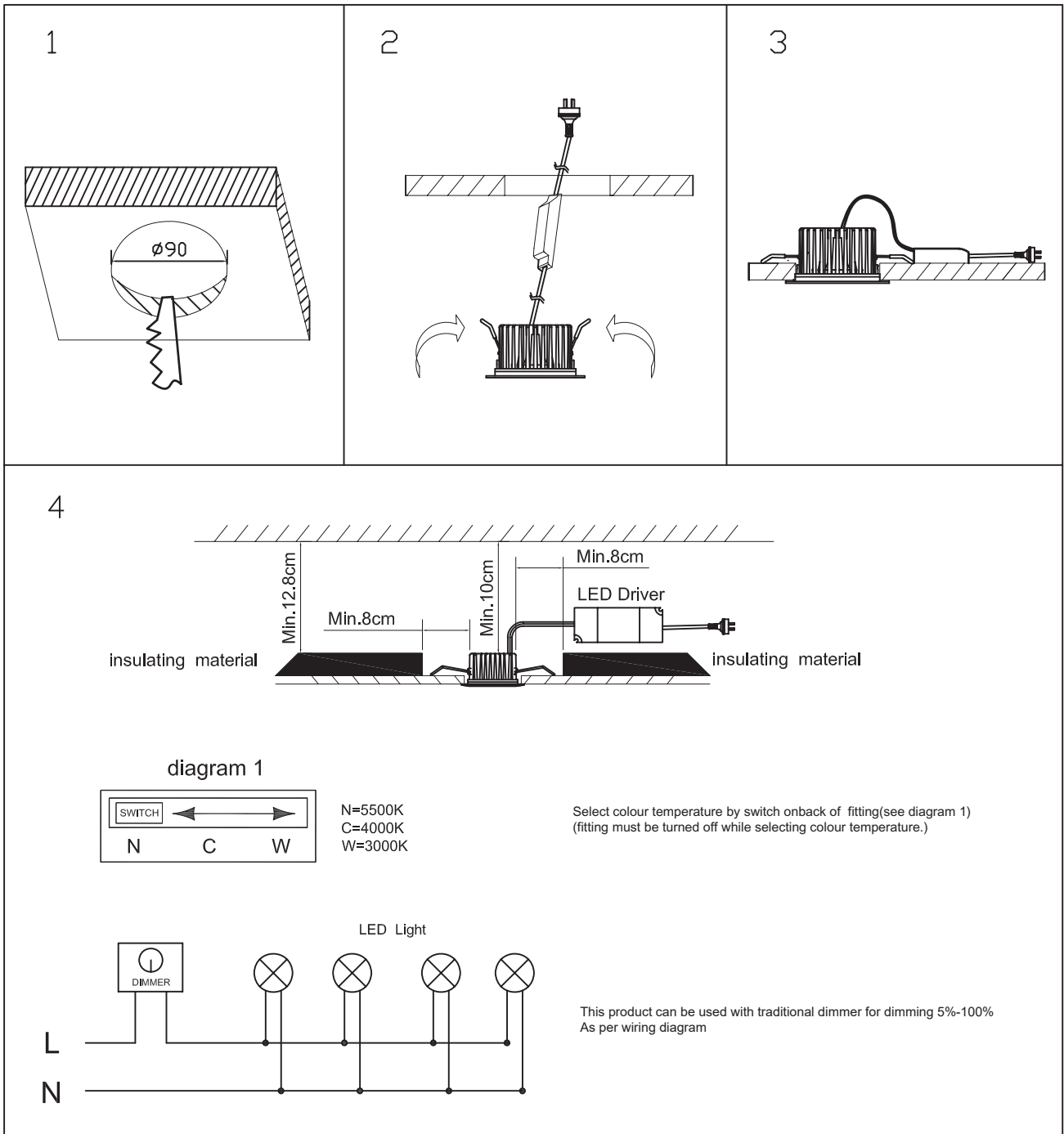


LED light source.

SAFETY INSTRUCTIONS

Please read these instructions carefully before commencing installation and retain for future reference. This Havit Lighting product should be installed by a licensed electrician ONLY, and in accordance with all local regulations. Make sure that mains power is off before installation or maintenance.

Installation Instructions



1. This Havit Lighting product must be connected to the supplied driver, connection of LED to any other driver than the supplied one will void the warranty.
2. Do not look directly at the light - this may cause damage to eye sight.
3. Please note the correct cut out dimensions before beginning installation.
4. Ensure the LED luminaire is connected correctly before switching power on.
5. Stainless steel surfaces should be maintained regularly - see Havit Lighting stainless steel maintenance instructions.
6. If this product is altered in any way the manufacturer warranty will be void.
7. The manufacturer is free to change the design, specifications and instructions for assembly.