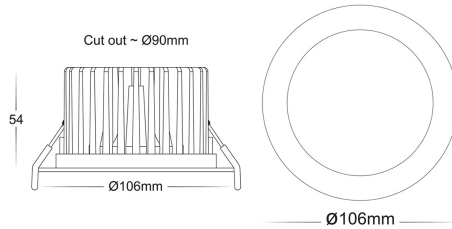


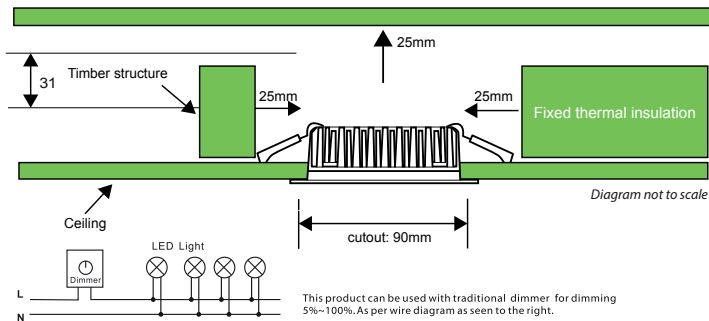
# LED Downlight Installation Instructions



HV5530T-WHT

HV5530T-BLK

This LED Downlight fitting is fully sealed and generates little heat, therefore this unit can be mounted with the minimum clearance of 25mm to the structural timbers and thermal insulation that is fixed in position.



## Important Safety Issues;

- This product must be installed by a qualified electrician according to AS/NZS 3000.
- Ensure all electrical mains are disconnected before any installation.
- Modification of this product will void any warranty.
- Havit Lighting does not take responsibility for wrong installation, incorrect use, or use of installation material that does not belong to the system.
- All o-rings and seals must be in place correctly to maintain warranty .

## Steps for Installation;

1. Make sure that the electrical circuit is free of voltage (master switch off)
2. Make required cut out size for appropriate model in desired location.
3. Plug in downlight into plug base.
4. Select colour temperature by switch onback of fitting (see diagram 1) ( fitting must be turned off while selecting colour temperature.)
5. Pull spring clips back on fitting.
6. Push downlight through hole and release clips allowing clips to come back onto ceiling.
7. All connections must be carried out carefully, inspect all contacts before switching back on the electric circuit.

diagram 1



**THESE FITTINGS MUST BE INSTALLED BY A LICENSED ELECTRICIAN**