



Aluminium Gleam Fixed Round LED Downlight

Installation Instructions

Thanks you for purchasing this quality LED product. To ensure correct function and safety, please read and follow all instructions carefully before using the product. Please keep instructions for future reference.

SPECIFICATIONS

MODEL	POWER	VOLTAGE	BEAM ANGLE	CCT	LUMENS	DIMMABLE	DIMENSION	IP Rated	Cut-out
HV5528T-WHT	9W	AC200-240V 50/60Hz	90°	3000K-4000K-5500K	680-795-745lm	YES	Ø100xH60mm	IP54	Ø90mm
HV5528T-BLK	9W	AC200-240V 50/60Hz	90°	3000K-4000K-5500K	680-795-745lm	YES	Ø100xH60mm	IP54	Ø90mm
HV5528D2W-WHT	9W	AC200-240V 50/60Hz	90°	1800k-3000k	685lm	YES	Ø100xH60mm	IP54	Ø90mm
HV5528D2W-BLK	9W	AC200-240V 50/60Hz	90°	1800k-3000k	685lm	YES	Ø100xH60mm	IP54	Ø90mm

IMPORTANT

- ※ It is recommended that luminaires are installed and fitted by a qualified electrician ensuring the installation complies.
- ※ These products are designed for connection to 200V-240V~ main supply. This appliance will be considered Class II.
- ※ Switch off the mains supply before installation or servicing. This product indoor use only.
- ※ Havit Lighting are not responsible if these fixtures are not installed according to local safety standards or damage resulting from incorrect use.
- ※ Dust off the device and if necessary use a soft sponge.
- ※ Never use alcohol or dissolvents.
- ※ The light source of this luminaire is not replaceable: when the light source reaches its end of life, the whole of the luminaire shall be replaced.
- ※ if the external flexible cable or cord of this luminaire is damaged, it shall be exclusively replaced by the manufacturer or his service agent or a similar qualified person in order to avoid a hazard.

WARNING

- * The LED down light must be installed by a registered electrician;
- * Ensure that the main electrical supply is switched off before installing the fixture;
- * If cable is defective, do not use;
- * To clean, wipe with a damp clean cloth. Never soak the fitting with water.

WARRANTY

This LED products is subject to our standard warranty. Any modifications to this product or installing NOT according to the installation instructions above will void the warranty.

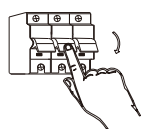
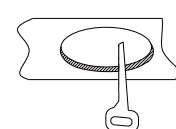
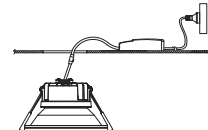
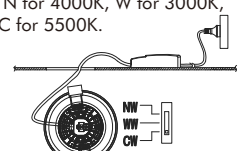
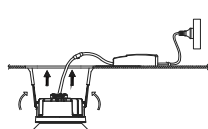
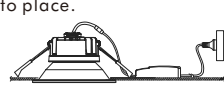

Havit Lighting

143 Beauchamp Rd, Matraville NSW 2036
www.havit.com.au



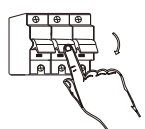
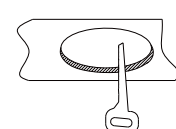
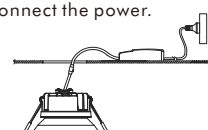
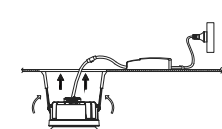

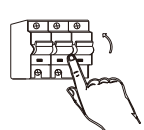
INSTALLATIONS

HV5528T-WHT/HV5528T-BLK

<p>1 Turn off the power.</p> 	<p>2 Tools to open the appropriate holes in the ceiling.</p> 	<p>3 Connect the power.</p> 	
<p>4 Choose the color temperature, N for 4000K, W for 3000K, C for 5500K.</p> 	<p>5 Place springs clasp in an upward.</p> 	<p>6 Release springs clasp and push into place.</p> 	<p>7 Turn on the power.</p> 

INSTALLATIONS

HV5528D2W-WHT/HV5528D2W-BLK

<p>1 Turn off the power.</p> 	<p>2 Tools to open the appropriate holes in the ceiling.</p> 	<p>3 Connect the power.</p> 
<p>4 Place springs clasp in an upward.</p> 	<p>5 Release springs clasp and push into place.</p> 	<p>6 Turn on the power.</p> 

Havit Lighting

143 Beauchamp Rd, Matraville NSW 2036
www.havit.com.au

