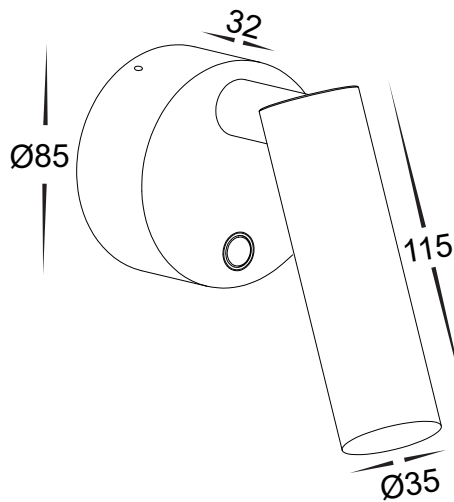


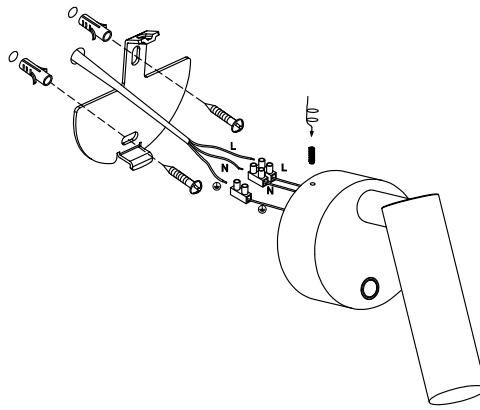
Product Specifications

Model No.	HV3689T-BLK	HV3689T-WHT	HV3689T-AB	HV3689T-BLKBR
Name	Lesen			
Material	Aluminium			
Colour	Black	White	Antique Brass	Black + Brass
IP Rating	IP20			
Input Voltage	240v AC			
Protection Class	1 (Requires Earth) ⚡			
Lamp Base	Built in LED			
Lamp Wattage	1x 5w			
Colour Temp	TRI Colour - 3000k, 4000k, 5500k			
Lumens	85lm, 110lm, 105lm			
CRI	>80+			
Wiring	Parallel			
Dimmable	Yes - Built in Dimming			
Warranty	3 Years Replacement*			

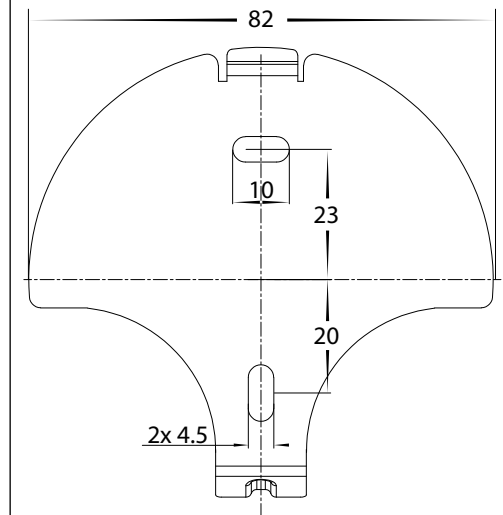
Dimensions



Installation Diagram



Mounting Base Diagram



Important Safety Issues:

- This product must be installed by a qualified electrician according to AS/NZS 3000.
- Ensure all electrical mains are disconnected before any installation.
- Modification of this product will void any warranty.
- Havit Lighting does not take responsibility for wrong installation, incorrect use, or use of installation material that does not belong to the system.
- Aluminium and 304SS fittings must not be installed within 5km of any salt water environments.
- All o-rings and seals must be in place correctly to maintain warranty.
- This form may be updated at any time due to product improvements, please check online installation form for most current version.

Steps for Installation:

1. Make sure that the electrical circuit is free of voltage (master switch off)
2. Remove allen screws on side of fitting and set aside.
3. Install base plate in desired location
4. Connect the cable - use wire with earth; connect the earth first, then live and neutral wire
5. Fitting is preset to 3000k, to change slide switch to desired colour temperature
6. Reattach fitting to base plate making sure allen screws are tight.
7. Adjust fitting to desired position making sure to stop rotating when fitting cannot rotate anymore, if forced fitting will continue to rotate and cause internal cables to become entangled causing fitting to short. If this is done, warranty will be voided.
8. Press switch to change colour temperature, Hold down switch to dim.
9. All connections must be carried out carefully, inspect all contacts before switching back on the electric circuit.

Must be installed by a licensed electrician

Contact Details:

143 Beauchamp Road
Matraville NSW 2036
Australia
Tel: 02 9381 8300
Fax: 02 9666 8881
Email: sales@havit.com.au
Web: www.havit.com.au

Warranty Terms & Conditions*



Additional Information

