

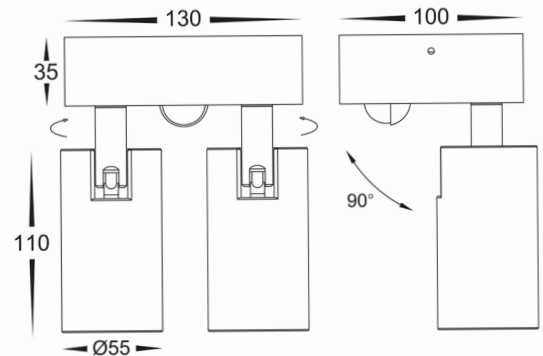
Revo Adjustable Spot Lights Installation Instructions



Product Specifications

Model No.	HV3684T-BLK	HV3684T-WHT
Name	Revo	
Material	Aluminium	
Colour	Black	White
IP Rating	IP65	
Input Voltage	240v AC	
Lamp Base	Built in LED	
Lamp Wattage	2x 9w	
Colour Temp	TRI Colour - 3000k, 4000k, 5500k	
Lumens	2X 810lm, 2X 850lm, 2X 900lm	
CRI	> 80	
Wiring	Parallel	
Dimmable	No	
Warranty	2 Years Replacement*	

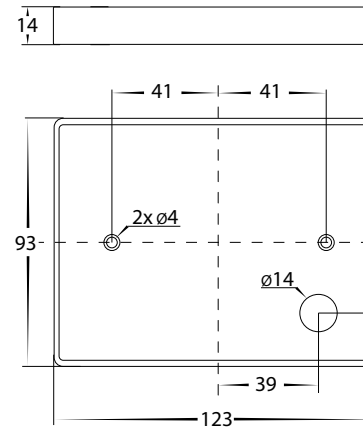
Dimensions



Important Safety Issues:

- This product must be installed by a qualified electrician according to AS/NZS 3000.
- Ensure all electrical mains are disconnected before any installation.
- Modification of this product will void any warranty.
- Havit Lighting does not take responsibility for wrong installation, incorrect use, or use of installation material that does not belong to the system.
- When installing low voltage fittings, Voltage to fitting must be within +or- 5% of voltage required, if not within this allowance warranty will be voided.
- Aluminium and 304SS fittings must not be installed within 2km of any salt water environments.
- When installing copper fittings, gloves must be worn to avoid any oils transferring to fitting.
- All 316 & 304 stainless steel fittings must have regular cleaning maintenance to avoid any tea staining from forming on fitting.
(Warranty does not cover Tea Staining)
- All o-rings and seals must be in place correctly to maintain warranty
- This form may be updated at any time due to product improvements, please check online installation form for most current version.

Mounting Base Diagram



Steps for Installation:

1. Make sure that the electrical circuit is free of voltage (master switch off)
2. Loosen allen screws on side of fitting
3. Remove base plate from fitting and attach base plate in desired location
4. Connect the cable - use wire with earth; connect the earth first, then live and neutral wire
5. Fitting is preset to 3000k, to change slide switch to desired colour temperature
6. Reattach fitting to baseplate making sure screws are tight to avoid water penetration.
7. Apply silicon around edge of fitting to prevent any water from getting inside to electrical connections.
8. To adjust Sensor, slide cover to the left or right to show settings
9. Adjust time, use a flat head screddriver and rotate position to the right up to a maximum of 12 mins
10. Adjust Lux settings, use a flathead screwdriver and rotate position to the right for night to only have light fitting turn on at night.
11. Adjust fitting gently to where you want fitting pointed, Make sure to stop turning when fitting stops otherwise fitting may break if turned too far.
12. All connections must be carried out carefully, inspect all contacts before switching back on the electric circuit.

Must be installed by a licensed electrician

Contact Details:

143 Beauchamp Road
Matraville NSW 2036
Australia
Tel: 02 9381 8300
Fax: 02 9666 8881
Email: sales@havit.com.au
Web: www.havit.com.au

Warranty Terms & Conditions*



Additional Information



HV3684T-BLK



HV3684T-WHT