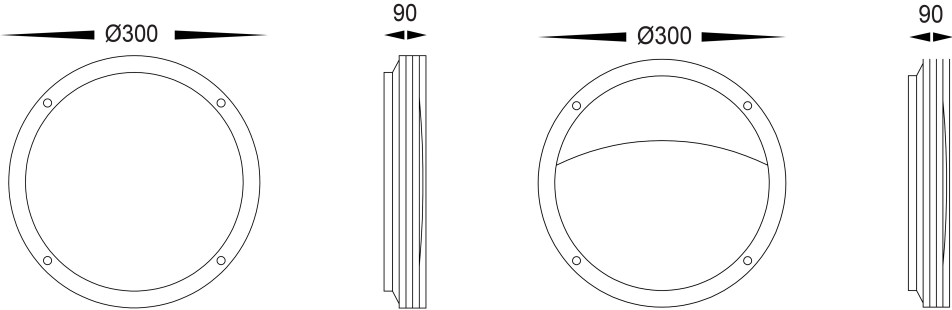


HV3670C-BLK
HV3670W-BLK

HV3671C-BLK
HV3671W-BLK



Important Safety Issues;

- This product must be installed by a qualified electrician according to AS/NZS 3000.
- Ensure all electrical mains are disconnected before any installation.
- Modification of this product will void any warranty.
- Do not touch the lamp with bare hands, and ensure to let lamp cool after use before touching. This lamp can get extremely hot.
- Havit Lighting does not take responsibility for wrong installation, incorrect use, or use of installation material that does not belong to the system.
- All o-rings and seals must be in place correctly to maintain warranty .

Steps for Installation;

1. Make sure that the electrical circuit is free of voltage (master switch off)
2. Remove the face from backing plate with allen key provided.
3. Install the backing plate securely, ensuring to seal around this plate to avoid moisture penetration. Seal all holes in the backing plate including cable entry and screw holes. Failure to do so will void warranty.
4. Connect the cable -
 - o 240v models, (use wire with earth); connect the earth first, then live and neutral wire
5. Affix the face of the fitting to the backing plate
6. All connections must be carried out carefully, inspect all contacts before switching back on the electric circuit.