

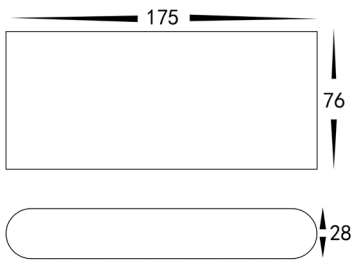
Lisse Wall Light Installation Instructions



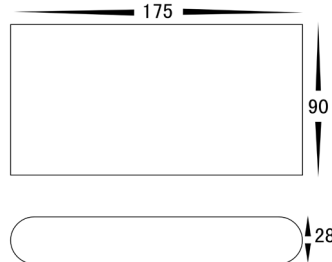
Product Specifications

Model No.	HV3643T-BLK-240V	HV3643T-WHT-240V	HV3644T-BLK-240V	HV3644T-WHT-240V
Name	Lisse			
Material	Aluminium			
Colour	Black	White	Black	White
IP Rating	IP54			
Input Voltage	240v AC			
Lamp Base	Built in LED			
Lamp Wattage	1x 6w		2x 5w	
Colour Temp	TRI Colour - 3000k, 4000k, 5500k		TRI Colour - 3000k, 4000k, 5500k	
Lumens	360lm, 375lm, 390lm		2x 300lm, 2x 310lm, 2x 325lm	
CRI	> 80			
Wiring	Parallel			
Dimmable	No			
Warranty	2 Years Replacement*			

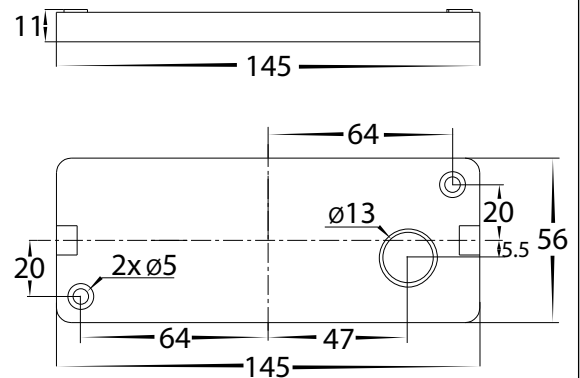
HV3643 Dimensions



HV3644 Dimensions



Mounting Base Diagram



Important Safety Issues:

- This product must be installed by a qualified electrician according to AS/NZS 3000.
- Ensure all electrical mains are disconnected before any installation.
- Modification of this product will void any warranty.
- Havit Lighting does not take responsibility for wrong installation, incorrect use, or use of installation material that does not belong to the system.
- When installing low voltage fittings, Voltage to fitting must be within +or- 5% of voltage required, if not within this allowance warranty will be voided.
- Aluminium and 304SS fittings must not be installed within 2km of any salt water environments.
- When installing copper fittings, gloves must be worn to avoid any oils transferring to fitting.
- All 316 & 304 stainless steel fittings must have regular cleaning maintenance to avoid any tea staining from forming on fitting.
(Warranty does not cover Tea Staining)
- All o-rings and seals must be in place correctly to maintain warranty
- This form may be updated at any time due to product improvements, please check online installation form for most current version.

Steps for Installation:

1. Make sure that the electrical circuit is free of voltage (master switch off)
2. Loosen allen screws on side of fitting
3. Remove base plate from fitting and attach base plate in desired location
4. Connect the cable - use wire with earth; connect the earth first, then live and neutral wire
5. Fitting is preset to 3000k, to change slide switch to desired colour temperature
6. Reattach fitting to baseplate making sure screws are tight to avoid water penetration.
7. Apply silicon around edge of fitting to prevent any water from getting inside to electrical connections.
8. All connections must be carried out carefully, inspect all contacts before switching back on the electric circuit.

Must be installed by a licensed electrician

Contact Details:

143 Beauchamp Road
Matraville NSW 2036
Australia
Tel: 02 9381 8300
Fax: 02 9666 8881
Email: sales@havit.com.au
Web: www.havit.com.au

Warranty Terms & Conditions*



Additional Information



HV3643T-BLK

HV3643T-WHT

HV3644T-BLK

HV3644T-WHT