

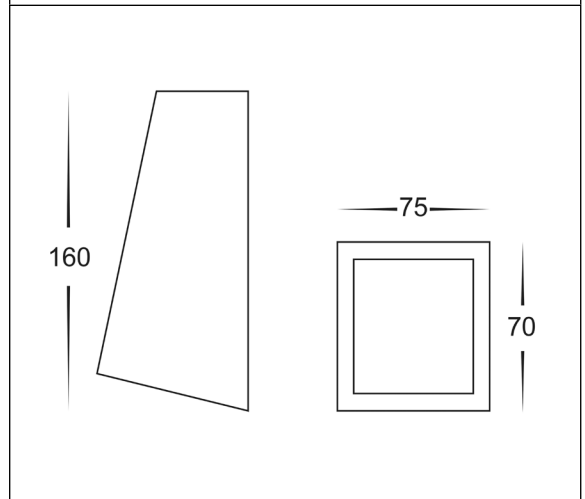
# Taper Wall Wedge Light Installation Instructions



## Product Specifications

Model No.	HV3605T-BLK	HV3605T-CP	HV3605T-SS316	HV3605T-WHT
Name	Taper			
Material	316 Stainless Steel	Copper	316 Stainless Steel	
Colour	Black	Copper	Stainless Steel	White
IP Rating	IP44			
Input Voltage	12v DC			
Lamp Base	MR16			
Lamp Wattage	1x 5w			
Colour Temp	TRI Colour - 3000k, 4000k, 5500k			
Lumens	270lm, 285lm, 300lm			
CRI	> 80			
Wiring	Parallel			
Dimmable	No			
Warranty	2 Years Replacement*			

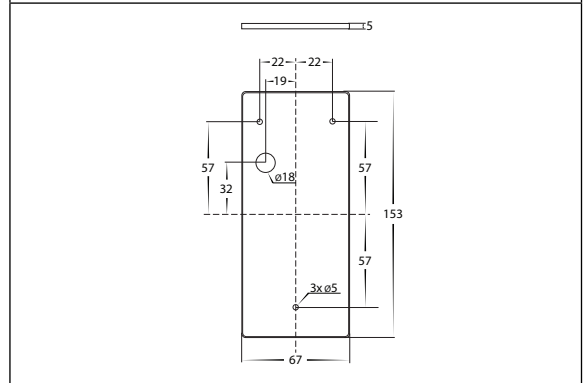
## Dimensions



## Important Safety Issues:

- This product must be installed by a qualified electrician according to AS/NZS 3000.
- Ensure all electrical mains are disconnected before any installation.
- Do not exceed maximum wattage restrictions for globes: 240V GU10 = 35w / 12V MR16 = 20w
- Modification of this product will void any warranty.
- Havit Lighting does not take responsibility for wrong installation, incorrect use, or use of installation material that does not belong to the system.
- When installing low voltage fittings, Voltage to fitting must be within +or- 5% of voltage required and cannot be installed more than 25m from LED Driver, if not within this allowance warranty will be voided.
- Aluminium and 304SS fittings must not be installed within 2km of any salt water environments.
- When installing copper fittings, gloves must be worn to avoid any oils transferring to fitting.
- All 316 stainless steel fittings must have regular cleaning maintenance to avoid any tea staining from forming on fitting. (Warranty does not cover Tea Staining)
- All o-rings and seals must be in place correctly to maintain warranty.
- These instructions may be updated at any time due to product improvements, Please visit website for most current installation instructions.

## Mounting Base Diagram



## Steps for Installation:

1. Make sure that the electrical circuit is free of voltage (master switch off)
2. Remove the screws from side of fitting and remove cover and set aside
3. Install base plate to wall in desired location
4. Using an appropriate 12v LED Driver - DO NOT CONNECT LIGHT FITTING DIRECTLY TO 240V
5. Connect the cable - If more than one fitting installed, wiring must be done in parallel.
6. Colour temperature is set to 3000K. To change, Remove globe by twisting anti clockwise and select desired colour temperature by moving switch on side of globe and then reinsert globe.
7. Reattach cover to base plate making sure screws are tight to avoid water penetration
8. Apply silicon around edge of fitting to prevent any water from getting inside to electrical connections.
9. All connections must be carried out carefully, inspect all contacts before switching back on the electric circuit.

## Steps for Changing Globe:

1. Remove cover from fitting by removing the 2 screws and removing cover
2. Remove globe by twisting anti clockwise.
3. Re-insert the appropriate globe by twisting clockwise into the lamp holder (Make sure not to exceed max wattage, see product label for correct info)
4. Reattach cover to base plate making sure screws are tight to avoid water penetration
5. Apply silicon around edge of fitting to prevent any water from getting inside to electrical connections.

## Must be installed by a licensed electrician

### Contact Details:

143 Beauchamp Road  
Matraville NSW 2036  
Australia  
Tel: 02 9381 8300  
Fax: 02 9666 8881  
Email: sales@havit.com.au  
Web: www.havit.com.au

### Warranty Terms & Conditions\*



### Additional Information



HV3605T-BLK



HV3605T-CP



HV3605T-SS316



HV3605T-WHT