

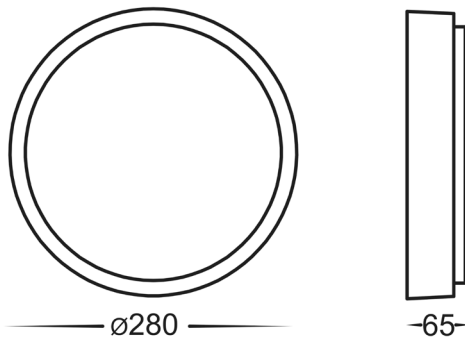
Liptor Wall Light Installation Instructions



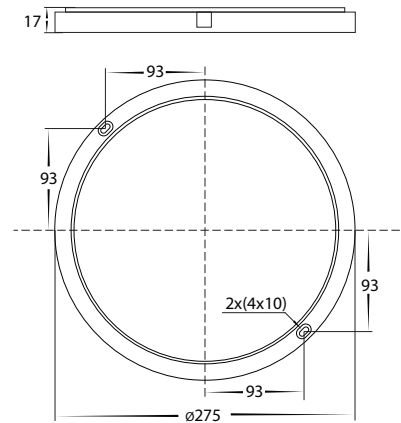
Product Specifications

| | | |
|---------------|----------------------------------|--------------|
| Model No. | HV36052T-BLK | HV36052T-WHT |
| Name | Liptor | |
| Material | Aluminium | |
| Colour | Black | White |
| IP Rating | IP54 | |
| Input Voltage | 240v AC | |
| Lamp Base | Built in LED | |
| Lamp Wattage | 1x 20w | |
| Colour Temp | TRI Colour - 3000k, 4000k, 5500k | |
| Lumens | 1130lm, 1360lm, 1310lm | |
| CRI | > 80 | |
| Wiring | Parallel | |
| Dimmable | No | |
| Warranty | 2 Years Replacement* | |

Dimensions



Mounting Base



Important Safety Issues:

- This product must be installed by a qualified electrician according to AS/NZS 3000.
- Ensure all electrical mains are disconnected before any installation.
- Modification of this product will void any warranty.
- Havit Lighting does not take responsibility for wrong installation, incorrect use, or use of installation material that does not belong to the system.
- When installing low voltage fittings, Voltage to fitting must be within +/- 5% of voltage required, if not within this allowance warranty will be voided.
- Aluminium and 304SS fittings must not be installed within 2km of any salt water environments.
- When installing copper fittings, gloves must be worn to avoid any oils transferring to fitting.
- All 316 & 304 stainless steel fittings must have regular cleaning maintenance to avoid any tea staining from forming on fitting. (Warranty does not cover Tea Staining)
- All o-rings and seals must be in place correctly to maintain warranty
- This form may be updated at any time due to product improvements, please check online installation form for most current version.

Steps for Installation:

1. Make sure that the electrical circuit is free of voltage (master switch off)
2. Loosen screws from side of fitting and remove cover
3. Attach mounting plate in desired location
4. Connect the cable - use wire with earth; connect the earth first, then live and neutral wire
5. Fitting is preset to 3000k, to change slide switch to desired colour temperature
6. Reattach cover making sure screws are tight to and seals are still in place to avoid water penetration.
7. Apply silicon around edge of fitting to prevent any water from getting inside to electrical connections.
8. All connections must be carried out carefully, inspect all contacts before switching back on the electric circuit.

Must be installed by a licensed electrician

Contact Details:

143 Beauchamp Road
Matraville NSW 2036
Australia
Tel: 02 9381 8300
Fax: 02 9666 8881
Email: sales@havit.com.au
Web: www.havit.com.au

Warranty Terms & Conditions*



Additional Information



HV36052T-BLK



HV36052T-WHT