

Stylez Black LED Step Light

PRODUCT SPECIFICATIONS

Name	Stylez
Material	316 Stainless Steel
Colour	Poly Powder Coated Black
IP Rating	IP65
Lamp Base	Built in LED
CRI	> 80
Wiring	Parallel
Dimmable	No
Warranty	3 Years Replacement



APPROVAL



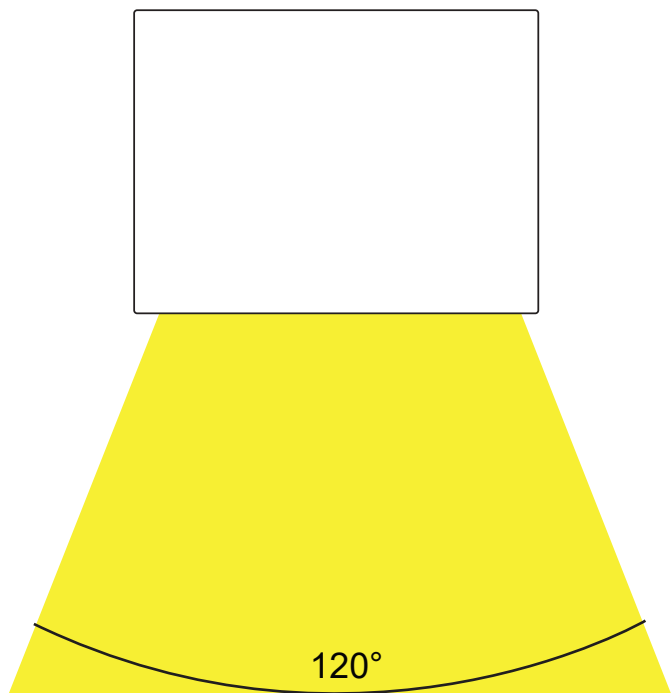
IP RATING



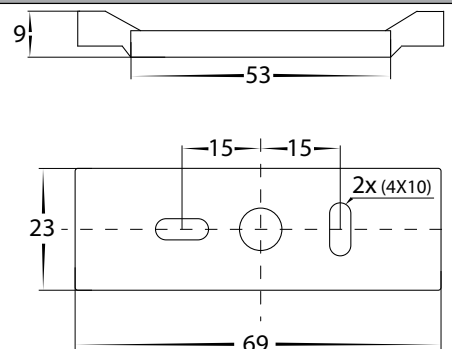
COLOUR TEMP



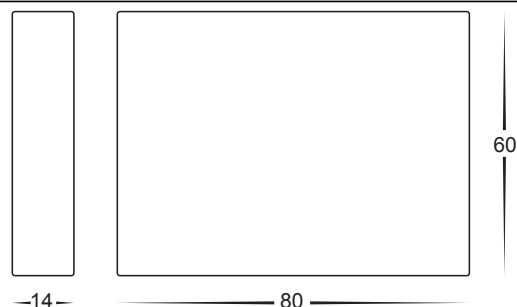
LIGHT DISTRIBUTION



MOUNTING BASE



DIMENSIONS



PART NUMBER	COLOUR TEMP	LUMENS	INPUT VOLTAGE	BEAM ANGLE	INCLUDED LED
HV3288C-BLK	5500k	250lm	12v	120°	3w Built in LED
HV3288W-BLK	3000k	240lm	12v	120°	3w Built in LED

For More Information Contact Havit Lighting

143 Beauchamp Road
Matraville NSW 2036
Australia

Tel: 02 9381 83000
Fax: 02 9666 888
Email: sales@havit.com.au
Web: www.havit.com.au



Warranty Terms & Conditions



Additional Information

Stylez Graphite LED Step Light

PRODUCT SPECIFICATIONS

Name	Stylez
Material	316 Stainless Steel
Colour	Graphite
IP Rating	IP65
Lamp Base	Built in LED
CRI	> 80
Wiring	Parallel
Dimmable	No
Warranty	3 Years Replacement



APPROVAL



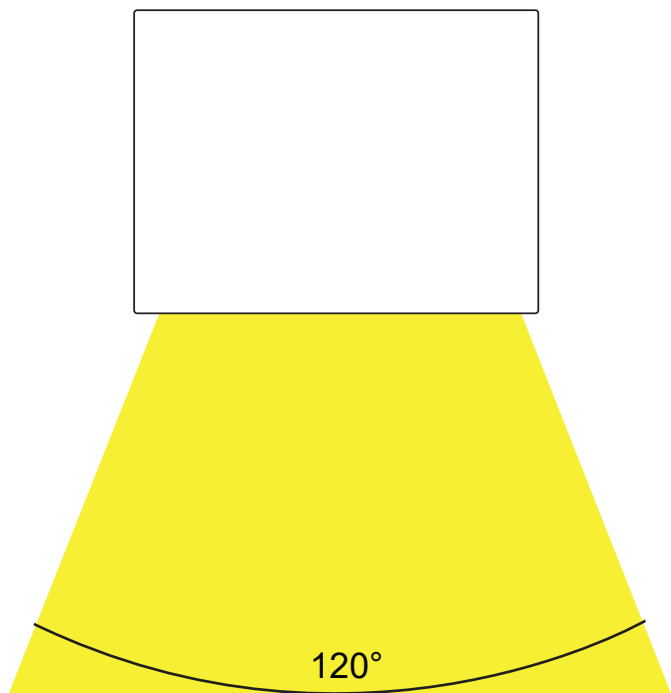
IP RATING



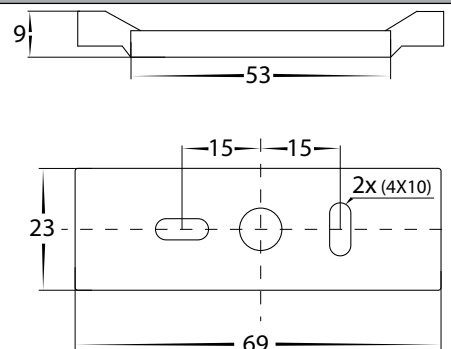
COLOUR TEMP



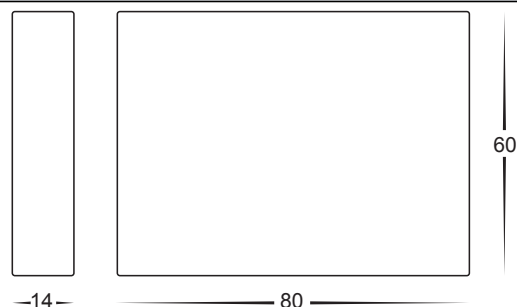
LIGHT DISTRIBUTION



MOUNTING BASE



DIMENSIONS



PART NUMBER	COLOUR TEMP	LUMENS	INPUT VOLTAGE	BEAM ANGLE	INCLUDED LED
HV3288C-GPH	5500k	250lm	12v	120°	3w Built in LED
HV3288W-GPH	3000k	240lm	12v	120°	3w Built in LED

For More Information Contact Havit Lighting

143 Beauchamp Road
Matraville NSW 2036
Australia

Tel: 02 9381 83000
Fax: 02 9666 888
Email: sales@havit.com.au
Web: www.havit.com.au



Warranty Terms & Conditions



Additional Information

Stylez White LED Step Light

PRODUCT SPECIFICATIONS

Name	Stylez
Material	316 Stainless Steel
Colour	Poly Powder Coated White
IP Rating	IP65
Lamp Base	Built in LED
CRI	> 80
Wiring	Parallel
Dimmable	No
Warranty	3 Years Replacement



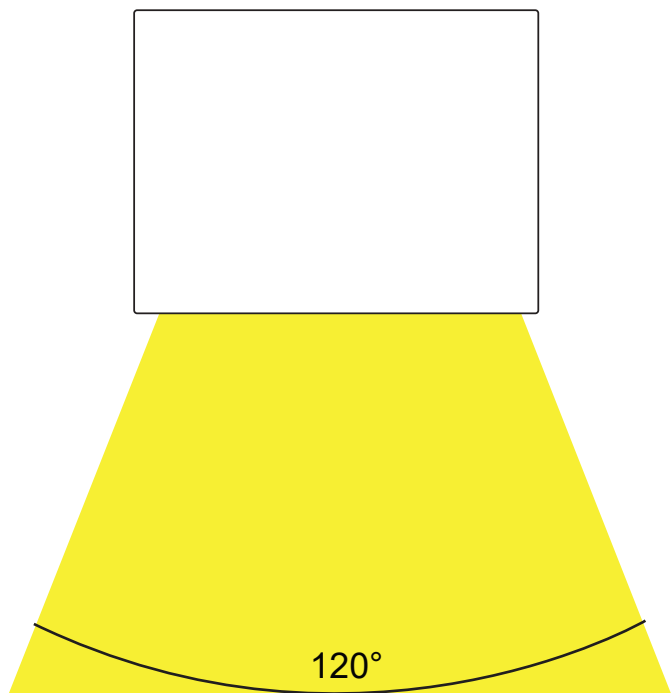
APPROVAL

IP RATING

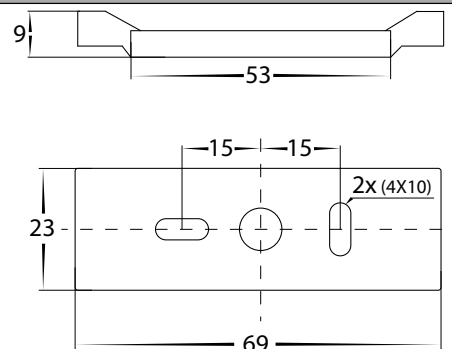
COLOUR TEMP



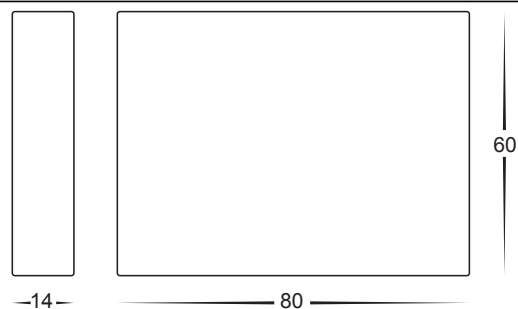
LIGHT DISTRIBUTION



MOUNTING BASE



DIMENSIONS



PART NUMBER	COLOUR TEMP	LUMENS	INPUT VOLTAGE	BEAM ANGLE	INCLUDED LED
HV3288C-WHT	5500k	250lm	12v	120°	3w Built in LED
HV3288W-WHT	3000k	240lm	12v	120°	3w Built in LED

For More Information Contact Havit Lighting

143 Beauchamp Road
Matraville NSW 2036
Australia

Tel: 02 9381 83000
Fax: 02 9666 888
Email: sales@havit.com.au
Web: www.havit.com.au



Warranty Terms & Conditions



Additional Information