

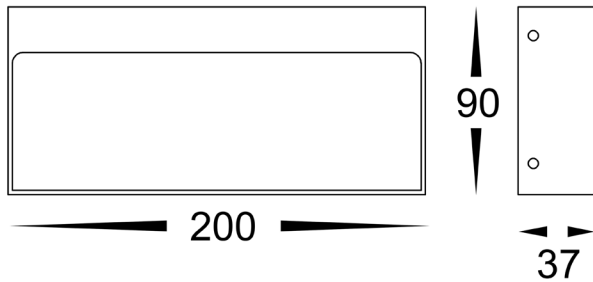
Virisma Step Light Installation Instructions



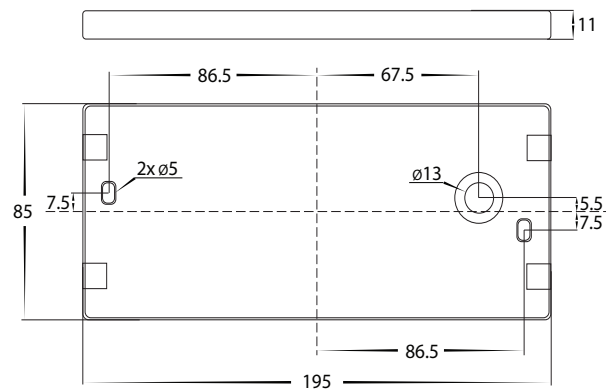
Product Specifications

Model No.	HV3275T-BLK-12V	HV3275T-WHT-12V
Name	Virisma	
Material	Aluminium	
Colour	Black	White
IP Rating	IP54	
Input Voltage	12v DC	
Lamp Base	Built in LED	
Lamp Wattage	1x 6w	
Colour Temp	TRI Colour - 3000k, 4000k, 5500k	
Lumens	200lm, 210lm, 220lm	
CRI	> 80	
Wiring	Parallel	
Dimmable	No	
Warranty	2 Years Replacement*	

Dimensions



Mounting Base Diagram



Important Safety Issues:

- This product must be installed by a qualified electrician according to AS/NZS 3000.
- Ensure all electrical mains are disconnected before any installation.
- Do not exceed maximum wattage restrictions for globes: 240V GU10 = 35w / 12V MR16 = 20w
- Modification of this product will void any warranty.
- Havit Lighting does not take responsibility for wrong installation, incorrect use, or use of installation material that does not belong to the system.
- When installing low voltage fittings, Voltage to fitting must be within +or- 5% of voltage required and cannot be installed more than 25m from LED Driver, if not within this allowance warranty will be voided.
- Aluminium and 304SS fittings must not be installed within 2km of any salt water environments.
- When installing copper fittings, gloves must be worn to avoid any oils transferring to fitting.
- All 316 stainless steel fittings must have regular cleaning maintenance to avoid any tea staining from forming on fitting. (Warranty does not cover Tea Staining)
- All o-rings and seals must be in place correctly to maintain warranty.
- These instructions may be updated at any time due to product improvements, Please visit website for most current installation instructions.

Steps for Installation:

1. Make sure that the electrical circuit is free of voltage (master switch off)
2. Loosen allen screws on side of fitting and remove face and set aside.
3. Install base plate to wall in desired location
4. Using an appropriate 12v DC LED Driver - DO NOT CONNECT LIGHT FITTING DIRECTLY TO 240V
5. Connect the cable - If more than one fitting installed, wiring must be done in parallel.
6. Fitting is preset to 3000k, to change slide switch to desired colour temperature
7. Reattach face to base plate making sure allen screws are tight to avoid water penetration
8. Apply silicon around edge of fitting to prevent any water from getting inside to electrical connections.
9. All connections must be carried out carefully, inspect all contacts before switching back on the electric circuit.

Must be installed by a licensed electrician

Contact Details:

143 Beauchamp Road
Matrville NSW 2036
Australia
Tel: 02 9381 8300
Fax: 02 9666 8881
Email: sales@havit.com.au
Web: www.havit.com.au

Warranty Terms & Conditions*



Additional Information



HV3275T-BLK-12V



HV3275T-WHT-12V

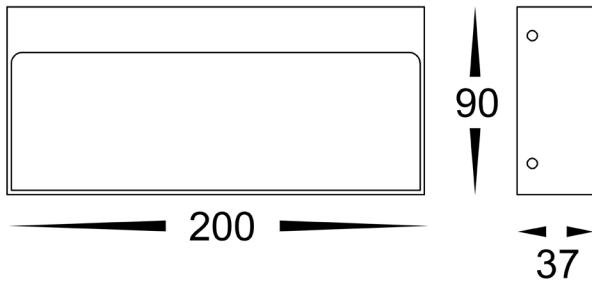
Virisma Step Light Installation Instructions



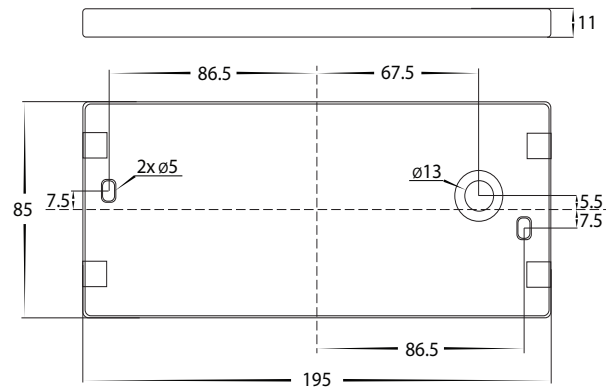
Product Specifications

Model No.	HV3275T-BLK-240V	HV3275T-WHT-240V
Name	Virisma	
Material	Aluminium	
Colour	Black	White
IP Rating	IP54	
Input Voltage	240v AC	
Lamp Base	Built in LED	
Lamp Wattage	1x 6w	
Colour Temp	TRI Colour - 3000k, 4000k, 5500k	
Lumens	200lm, 210lm, 220lm	
CRI	> 80	
Wiring	Parallel	
Dimmable	No	
Warranty	2 Years Replacement*	

Dimensions



Mounting Base Diagram



Important Safety Issues:

- This product must be installed by a qualified electrician according to AS/NZS 3000.
- Ensure all electrical mains are disconnected before any installation.
- Modification of this product will void any warranty.
- Havit Lighting does not take responsibility for wrong installation, incorrect use, or use of installation material that does not belong to the system.
- When installing low voltage fittings, Voltage to fitting must be within +or- 5% of voltage required, if not within this allowance warranty will be voided.
- Aluminium and 304SS fittings must not be installed within 2km of any salt water environments.
- When installing copper fittings, gloves must be worn to avoid any oils transferring to fitting.
- All 316 & 304 stainless steel fittings must have regular cleaning maintenance to avoid any tea staining from forming on fitting.
(Warranty does not cover Tea Staining)
- All o-rings and seals must be in place correctly to maintain warranty
- This form may be updated at any time due to product improvements, please check online installation form for most current version.

Steps for Installation:

1. Make sure that the electrical circuit is free of voltage (master switch off)
2. Loosen allen screws on side of fitting and remove face and set aside.
3. Install base plate to wall in desired location
4. Connect the cable - use wire with earth; connect the earth first, then live and neutral wire
5. Fitting is preset to 3000k, to change slide switch to desired colour temperature.
6. Reattach face to base plate making sure allen screws are tight to avoid water penetration
7. Apply silicon around edge of fitting to prevent any water from getting inside to electrical connections.
8. All connections must be carried out carefully, inspect all contacts before switching back on the electric circuit.

Must be installed by a licensed electrician

Contact Details:

143 Beauchamp Road
Matraville NSW 2036
Australia
Tel: 02 9381 8300
Fax: 02 9666 8881
Email: sales@havit.com.au
Web: www.havit.com.au

Warranty Terms & Conditions*



Additional Information



HV3275T-BLK-240V



HV3275T-WHT-240V