

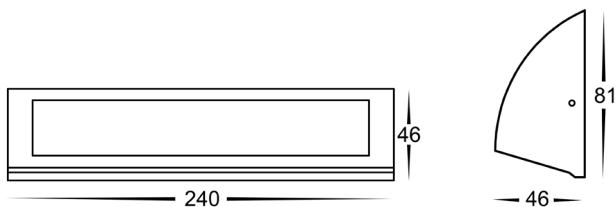
Taso Step Light Installation Instructions



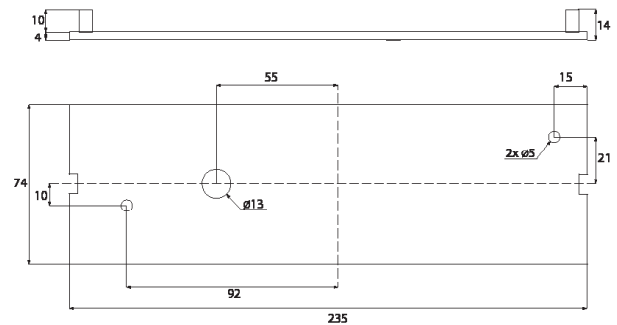
Product Specifications

Model No.	HV3272T-BLK-12V	HV3272T-SLV-12V	HV3272T-WHT-12V
Name	Taso		
Material	Aluminium		
Colour	Black	Silver	White
IP Rating	IP54		
Input Voltage	12v DC		
Lamp Base	Built in LED		
Lamp Wattage	1x 10w		
Colour Temp	TRI Colour - 3000k, 4000k, 5500k		
Lumens	600lm, 625lm, 650lm		
CRI	> 80		
Wiring	Parallel		
Dimmable	No		
Warranty	2 Years Replacement*		

Dimensions



Mounting Base Diagram



Important Safety Issues:

- This product must be installed by a qualified electrician according to AS/NZS 3000.
- Ensure all electrical mains are disconnected before any installation.
- Do not exceed maximum wattage restrictions for globes: 240V GU10 = 35w / 12V MR16 = 20w
- Modification of this product will void any warranty.
- Havit Lighting does not take responsibility for wrong installation, incorrect use, or use of installation material that does not belong to the system.
- When installing low voltage fittings, Voltage to fitting must be within +/- 5% of voltage required and cannot be installed more than 25m from LED Driver, if not within this allowance warranty will be voided.
- Aluminium and 304SS fittings must not be installed within 2km of any salt water environments.
- When installing copper fittings, gloves must be worn to avoid any oils transferring to fitting.
- All 316 stainless steel fittings must have regular cleaning maintenance to avoid any tea staining from forming on fitting. (Warranty does not cover Tea Staining)
- All o-rings and seals must be in place correctly to maintain warranty.
- These instructions may be updated at any time due to product improvements, Please visit website for most current installation instructions.

Steps for Installation:

1. Make sure that the electrical circuit is free of voltage (master switch off)
2. Loosen allen screws on side of fitting and remove face and set aside.
3. Using an appropriate 12v DC LED Driver - DO NOT CONNECT LIGHT FITTING DIRECTLY TO 240V
4. Strip back the cable on both fitting and cable run and twist the positive cables together. Then connect neutral cables together
5. Solder all joins using solder and either a heat gun or butane gas torch.
6. Cover connections using an adhesive lined heat shrink or gel cap to make connection watertight. Failure to do this will void warranty.
7. Heat the heat shrink or crimp the gel cap making sure all connections are covered.
8. Install base plate to wall in desired location
9. Fitting is preset to 3000k, To change colour temperature slide switch located on top of PCB to desired colour temperature.
10. Reattach face to base plate making sure allen screws are tight to avoid water penetration
11. Apply silicon around edge of fitting to prevent any water from getting inside to electrical connections.
12. All connections must be carried out carefully, inspect all contacts before switching back on the electric circuit.

Must be installed by a licensed electrician

Contact Details:

143 Beauchamp Road
Matraville NSW 2036
Australia
Tel: 02 9381 8300
Fax: 02 9666 8881
Email: sales@havit.com.au
Web: www.havit.com.au

Warranty Terms & Conditions*



Additional Information



HV3272T-BLK-12V



HV3272T-SLV-12V



HV3272T-WHT-12V