

Bata Recessed Brick Light Installation Instructions



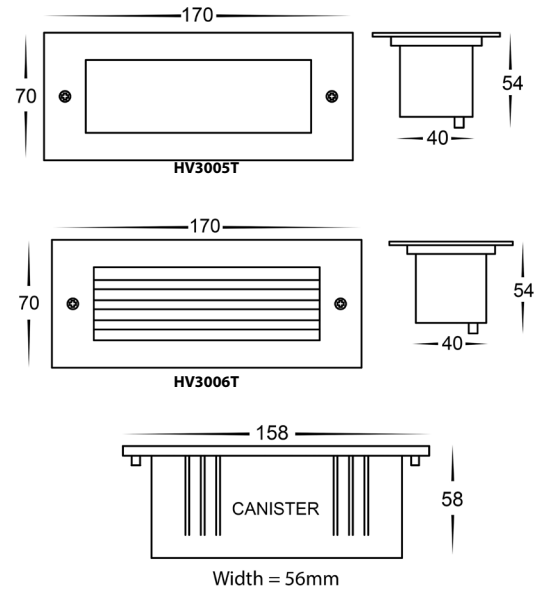
Product Specifications

Model No.	HV3005T-BLK-12V	HV3006T-BLK-12V	HV3005T-SS316-12V	HV3006T-SS316-12V
Name	Bata			
Material	316 Stainless Steel + Aluminium			
Colour	Black		Stainless Steel	
IP Rating	IP54			
Input Voltage	12v DC			
Lamp Base	Built in LED			
Lamp Wattage	1x 6w			
Colour Temp	TRI Colour - 3000k, 4000k, 5500k			
Lumens	480lm, 510lm, 540lm			
CRI	> 80			
Wiring	Parallel			
Dimmable	No			
Warranty	2 Years Replacement*			

Important Safety Issues:

- This product must be installed by a qualified electrician according to AS/NZS 3000.
- Ensure all electrical mains are disconnected before any installation.
- Do not exceed maximum wattage restrictions for globes: 240V GU10 = 35w / 12V MR16 = 20w
- Modification of this product will void any warranty.
- Havit Lighting does not take responsibility for wrong installation, incorrect use, or use of installation material that does not belong to the system.
- When installing low voltage fittings, Voltage to fitting must be within +or- 5% of voltage required and cannot be installed more than 25m from LED Driver, if not within this allowance warranty will be voided.
- Aluminium and 304SS fittings must not be installed within 2km of any salt water environments.
- When installing copper fittings, gloves must be worn to avoid any oils transferring to fitting.
- All 316 stainless steel fittings must have regular cleaning maintenance to avoid any tea staining from forming on fitting. (Warranty does not cover Tea Staining)
- All o-rings and seals must be in place correctly to maintain warranty.
- These instructions may be updated at any time due to product improvements, Please visit website for most current installation instructions.

Dimensions



Steps for Installation:

1. Make sure that the electrical circuit is free of voltage (master switch off)
2. Make a hole where fitting is to be placed using dimensions provided on line drawings
3. Insert canister, and ensure that the top is level with wall. Failure to do so will void warranty.
4. Using an appropriate 12v DC LED Driver - DO NOT CONNECT LIGHT FITTING DIRECTLY TO 240V
5. Connect the cable - If more than one fitting installed, wiring must be done in parallel.
6. Strip back the cable on both fitting and cable run and twist the positive cables together. Then connect neutral cables together
7. Solder all joins using solder and either a heat gun or butane gas torch.
8. Cover connections using an adhesive lined heat shrink or gel cap to make connection watertight. Failure to do this will void warranty.
9. Heat the heat shrink or crimp the gel cap making sure all connections are covered.
10. Remove screws from face, remove face and glass and set aside.
11. Remove PCB from fitting
12. Attach body of fitting to canister making sure body sits just behind canister edge.
13. Reattach PCB to fitting.
14. Colour temperature is preset to 3000k, to change slide switch located on front of PCB to desired colour temperature.
15. Reinsert glass and then reattached face making sure screws are tight to avoid any water penetration.
16. Apply silicon around edge of fitting to prevent any water from getting inside to electrical connections.
17. All connections must be carried out carefully, inspect all contacts before switching back on the electric circuit.

Must be installed by a licensed electrician

Contact Details:

143 Beauchamp Road Tel: 02 9381 8300
 Matraville NSW 2036 Fax: 02 9666 8881
 Australia Email: sales@havit.com.au
 Web: www.havit.com.au

Warranty Terms & Conditions*



Additional Information



HV3005T-BLK-12V



HV3005T-SS316-12V



HV3006T-BLK-12V



HV3006T-SS316-12V