

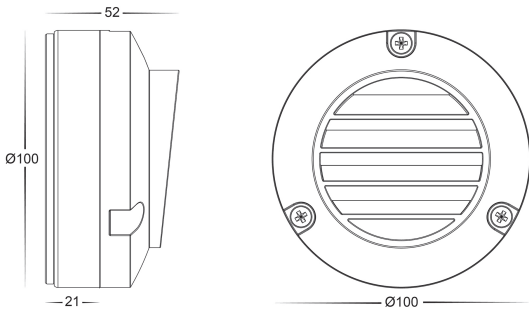
# 316 Stainless Steel Louvred Step Light

## PRODUCT SPECIFICATIONS

**Name:** Pinta  
**Material:** 316 Stainless Steel  
**Colour:** Stainless Steel  
**IP Rating:** IP65  
**Lamp Base:** Built in LED  
**CRI:** ≥80  
**Cable Length:** 200mm  
**Wiring:** Parallel  
**Dimmable:** No  
**Warranty:** 2 Years Replacement\*\*



## DIMENSIONS



## COLOUR TEMPERATURE

Tri-Colour By Havit

3000K

4000K

5500K



## IP RATING



## APPROVALS



## Product Ordering

IMAGE	PART NUMBER	COLOURTEMP	LUMENS	INPUT	BEAM ANGLE	INCLUDED LED
	<b>HV2905T-12V</b>	3000k 4000k 5500k	160lm 170lm 180lm	12v DC	120°	<b>TRI Colour</b> 2.3w Built in LED

\* Lumen output measured at source

\*\* See Warranty Terms and Conditions for more information

12v DC models must be used with suitable 12v DC LED Driver

For more information contact Havit Lighting

ADDRESS:  
 143 Beauchamp Road  
 Matraville NSW 2036  
 Australia

Tel: 02 9381 8300  
 Fax: 02 9666 8881  
 Email: sales@havitt.com.au  
 web: www.havit.com.au