

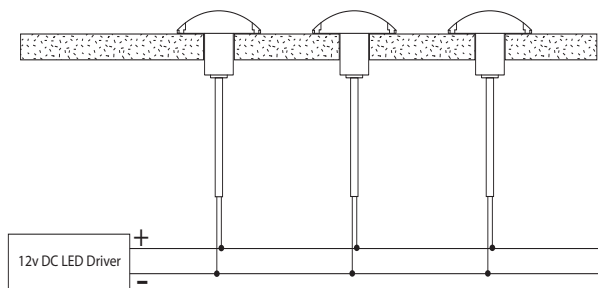
Dome Deck Light Installation Instructions



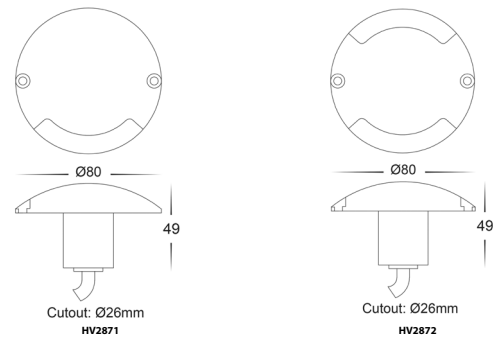
Product Specifications

Model No.	HV2871W-SLV	HV2871C-SLV	HV2871W-BLK	HV2871C-BLK	HV2872W-SLV	HV2872C-SLV	HV2872W-BLK	HV2872C-BLK
Name	Dome							
Material	Aluminium							
Colour	Silver		Black		Silver		Black	
IP Rating	IP65							
Input Voltage	12v DC							
Lamp Base	Built in LED							
Lamp Wattage	1x 3w				2x 3w			
Colour Temp	3000k	5500k	3000k	5500k	3000k	5500k	3000k	5500k
Lumens	180lm	190lm	180lm	190lm	2x 180lm	2x 190lm	2x 180lm	2x 190lm
CRI	> 80							
Wiring	Parallel							
Dimmable	No							
Warranty	2 Years Replacement*							

Sample Wiring Diagram



Dimensions



Important Safety Issues:

- This product must be installed by a qualified electrician according to AS/NZS 3000.
- Ensure all electrical mains are disconnected before any installation.
- Do not exceed maximum wattage restrictions for globes: 240V GU10 = 35w / 12V MR16 = 20w
- Modification of this product will void any warranty.
- Havit Lighting does not take responsibility for wrong installation, incorrect use, or use of installation material that does not belong to the system.
- When installing low voltage fittings, Voltage to fitting must be within +or- 5% of voltage required and cannot be installed more than 25m from LED Driver, if not within this allowance warranty will be voided.
- Aluminium and 304SS fittings must not be installed within 2km of any salt water environments.
- When installing copper fittings, gloves must be worn to avoid any oils transferring to fitting.
- All 316 stainless steel fittings must have regular cleaning maintenance to avoid any tea staining from forming on fitting. (Warranty does not cover Tea Staining)
- All o-rings and seals must be in place correctly to maintain warranty.
- These instructions may be updated at any time due to product improvements, Please visit website for most current installation instructions.

Steps for Installation:

1. Make sure that the electrical circuit is free of voltage (master switch off)
2. Make a hole where fitting is to be placed using dimensions provided on line drawings, making sure adequate drainage is allowed.
3. Using an appropriate 12v DC LED Driver - DO NOT CONNECT LIGHT FITTING DIRECTLY TO 240V
4. Connect the cable - If more than one fitting installed, wiring must be done in parallel.
5. Strip back the cable on both fitting and cable run and twist the positive cables together. Then connect neutral cables together
6. Solder all joins using solder and either a heat gun or butane gas torch.
7. Cover connections using an adhesive lined heat shrink or gel cap to make connection watertight. Failure to do this will void warranty.
8. Heat the heat shrink or crimp the gel cap making sure all connections are covered.
9. Insert fitting into hole and screw in 2x screws once fitting in placed in the desired direction
10. Apply silicon around edge of fitting to prevent any water from getting inside to electrical connections.
11. All connections must be carried out carefully, inspect all contacts before switching back on the electric circuit.

Must be installed by a licensed electrician

Contact Details:

143 Beauchamp Road
Matraville NSW 2036
Australia
Tel: 02 9381 8300
Fax: 02 9666 8881
Email: sales@havit.com.au
Web: www.havit.com.au

Warranty Terms & Conditions*



Additional Information

