

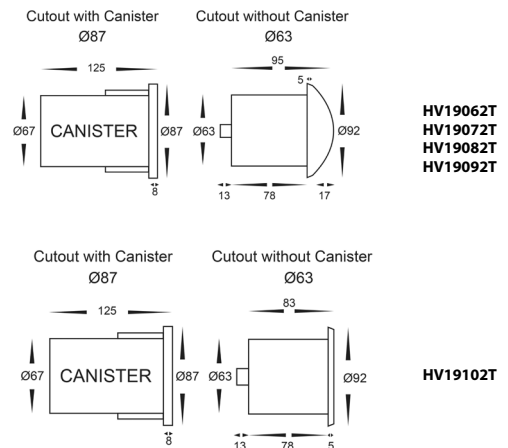
Viale Inground Light Installation Instructions



Product Specifications

Model No.	HV19062T	HV19072T	HV19082T	HV19092T	HV19102T
Name	Viale				
Material	316 Stainless Steel				
Colour	Stainless Steel				
IP Rating	IP65				
Input Voltage	12v DC				
Lamp Base	MR16				
Lamp Wattage	1x 5w				
Colour Temp	TRI Colour - 3000k, 4000k, 5500k				
Lumens	270lm, 285lm, 300lm				
CRI	> 80				
Wiring	Parallel				
Dimmable	No				
Warranty	2 Years Replacement*				

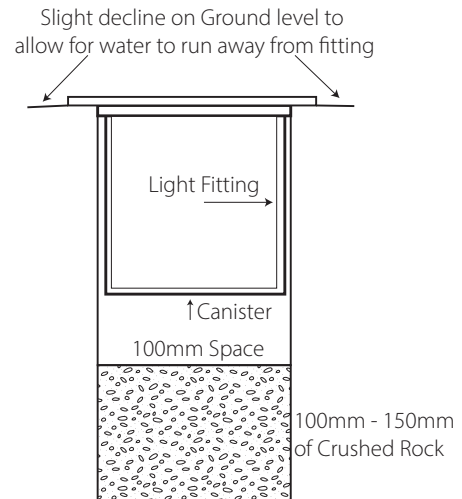
Dimensions



Important Safety Issues:

- This product must be installed by a qualified electrician according to AS/NZS 3000.
- Ensure all electrical mains are disconnected before any installation.
- Do not exceed maximum wattage restrictions for globes: 240V GU10 = 35w / 12V MR16 = 20w
- Modification of this product will void any warranty.
- Havit Lighting does not take responsibility for wrong installation, incorrect use, or use of installation material that does not belong to the system.
- When installing low voltage fittings, Voltage to fitting must be within +or- 5% of voltage required and cannot be installed more than 25m from LED Driver, if not within this allowance warranty will be voided.
- Aluminium and 304SS fittings must not be installed within 2km of any salt water environments.
- When installing copper fittings, gloves must be worn to avoid any oils transferring to fitting.
- All 316 stainless steel fittings must have regular cleaning maintenance to avoid any tea staining from forming on fitting. (Warranty does not cover Tea Staining)
- All o-rings and seals must be in place correctly to maintain warranty.
- These instructions may be updated at any time due to product improvements, Please visit website for most current installation instructions.

Sample Adequate Drainage Diagram



Steps for Installation:

- Make sure that the electrical circuit is free of voltage (master switch off)
- Make a hole where fitting is to be placed using dimensions provided on line drawings, making sure adequate drainage is allowed.
- Insert canister, and ensure that the top is level with wall or ground. Failure to do so will void warranty.
- Using an appropriate 12v DC LED Driver - DO NOT CONNECT LIGHT FITTING DIRECTLY TO 240V
- Connect the cable - If more than one fitting installed, wiring must be done in parallel.
- Strip back the cable on both fitting and cable run and twist the positive cables together. Then connect neutral cables together
- Solder all joins using solder and either a heat gun or butane gas torch.
- Cover connections using an adhesive lined heat shrink or gel cap to make connection watertight. Failure to do this will void warranty.
- Heat the heat shrink or crimp the gel cap making sure all connections are covered.
- Colour temperature is preset to 3000k, to change remove cover from fitting by twisting anti clockwise and set aside. Remove globe and select desired colour temperature by moving switch on side of globe and reinsert globes into lampholder
- Reattach glass and then cover by turning clockwise making sure the seals are still in place and cap is tight to avoid any water penetration.
- Insert fitting into canister. Apply silicon around edge of fitting to prevent any water from getting inside to electrical connections.
- All connections must be carried out carefully, inspect all contacts before switching back on the electric circuit.

Steps for Changing Globe:

- Remove the cover by twisting anti-clockwise then glass and set aside, remove globe by pulling gently.
- Re-insert the appropriate globe by aligning the 2 pins of the globes into the lampholder and pushing down gently until firmly in place. (Make sure not to exceed max wattage, see product label for correct info)
- Reattach cover by turning clockwise making sure the seals are still in place and cover is tight to avoid any water penetration.

Must be installed by a licensed electrician

Contact Details:

143 Beauchamp Road
 Matraville NSW 2036
 Australia
 Tel: 02 9381 8300
 Fax: 02 9666 8881
 Email: sales@havit.com.au
 Web: www.havit.com.au

Warranty Terms & Conditions*



Additional Information

