

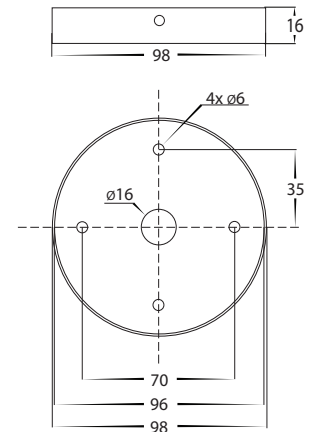
Mini Bollard Light Installation Instructions



Product Specifications

Model No.	HV1605T-BLK-12V	HV1605T-SS316-12V	HV1615T-BLK-12V	HV1615T-SS316-12V
Name	Mini 190			
Material	316 Stainless Steel			
Colour	Black	Stainless Steel	Black	Stainless Steel
IP Rating	IP54			
Input Voltage	12v DC			
Lamp Base	MR16			
Lamp Wattage	1x 5w			
Colour Temp	TRI Colour - 3000k, 4000k, 5500k			
Lumens	270lm, 285lm, 300lm			
CRI	> 80			
Wiring	Parallel			
Dimmable	No			
Warranty	2 Years Replacement*			

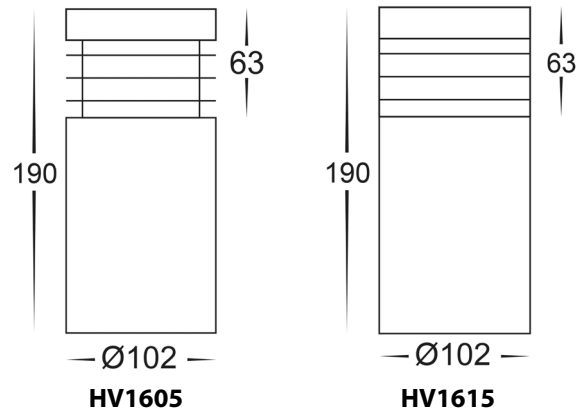
Mounting Base



Important Safety Issues:

- This product must be installed by a qualified electrician according to AS/NZS 3000.
- Ensure all electrical mains are disconnected before any installation.
- Do not exceed maximum wattage restrictions for globes: 240V GU10 = 35w / 12V MR16 = 20w
- Modification of this product will void any warranty.
- Havit Lighting does not take responsibility for wrong installation, incorrect use, or use of installation material that does not belong to the system.
- When installing low voltage fittings, Voltage to fitting must be within +/- 5% of voltage required and cannot be installed more than 25m from LED Driver, if not within this allowance warranty will be voided.
- Aluminium and 304SS fittings must not be installed within 2km of any salt water environments.
- When installing copper fittings, gloves must be worn to avoid any oils transferring to fitting.
- All 316 stainless steel fittings must have regular cleaning maintenance to avoid any tea staining from forming on fitting. (Warranty does not cover Tea Staining)
- When installing surface mounted bollards, base plate must be installed on concrete or concrete pad, Fitting should not be installed under ground level, all holes including cable entry must be siliconed to prevent any water penetration into fitting, silicon must also be applied around fitting at ground level. Failure to do this will void warranty
- All o-rings and seals must be in place correctly to maintain warranty.
- These instructions may be updated at any time due to product improvements, Please visit website for most current installation instructions.

Dimensions



Steps for Installation:

- Make sure that the electrical circuit is free of voltage (master switch off).
- Remove 4x allen screws from side of fitting and put aside
- Install baseplate in desired location using appropriate screws for application. The screws supplied are mild steel which must be replaced with higher grade if there is any chance of them being affected by water. The location of baseplate must be installed on either concrete or concrete base and cannot be installed under ground level.
- Locate IP rated junction box within fitting. Undo screws from junction box and remove cover.
- Insert cable through cable gland on junction box. If your cable is not circular you must fix entry of your cable to maintain IP rating. Failure to do so will void warranty.
- Using an appropriate 12V DC LED driver - DO NOT CONNECT FITTING DIRECTLY TO 240V
- Connect live and neutral wires. If more than one fitting is installed, wiring must be done in parallel.
- Reattach cover to IP rated junction box making sure screws are tight and seals are still in place.
- Silicon all cable entry holes and fixing points on baseplate to avoid moisture penetration into fitting.
- Place bollard onto base plate and reattach 4x allen screws set aside earlier
- Colour temperature is set to 3000K. To change, remove cover from fitting by twisting anti clockwise. for HV1605 models, remove the 2x nuts and washers and put aside Remove globe by also twisting anti clockwise and select desired colour temperature by moving switch on side of globe and then reinsert globe.
- Reattach cover by turning clockwise or for HV1605 Models, reattach the 2x nuts first, making sure the seals are still in place and cover is tight to avoid any water penetration.
- All connections must be carried out carefully, inspect all contacts before switching back on the electric circuit.

Steps for Changing Globe:

- Remove cover from fitting by twisting anti clockwise. for HV1605 models, remove the 2x nuts and washers and put aside Remove globe by also twisting anti clockwise.
- Re-insert the appropriate globe by twisting clockwise into the lamp holder (Make sure not to exceed max wattage, see product label for correct info)
- Reattach cover by turning clockwise or for HV1605 Models, reattach the 2x nuts first, making sure the seals are still in place and cover is tight to avoid any water penetration.

Must be installed by a licensed electrician

Contact Details:

143 Beauchamp Road
Matrville NSW 2036
Australia
Tel: 02 9381 8300
Fax: 02 9666 8881
Email: sales@havit.com.au
Web: www.havit.com.au

Warranty Terms & Conditions*



Additional Information



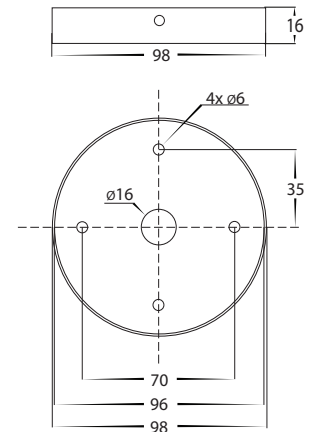
Mini Bollard Light Installation Instructions



Product Specifications

Model No.	HV1605T-BLK-240V	HV1605T-SS316-240V	HV1615T-BLK-240V	HV1615T-SS316-240V
Name	Mini 190			
Material	316 Stainless Steel			
Colour	Black	Stainless Steel	Black	Stainless Steel
IP Rating	IP54			
Input Voltage	240v AC			
Lamp Base	E27			
Lamp Wattage	1x 9w			
Colour Temp	TRI Colour - 3000k, 4000k, 5500k			
Lumens	700lm, 720lm, 740lm			
CRI	> 80			
Wiring	Parallel			
Dimmable	No			
Warranty	2 Years Replacement*			

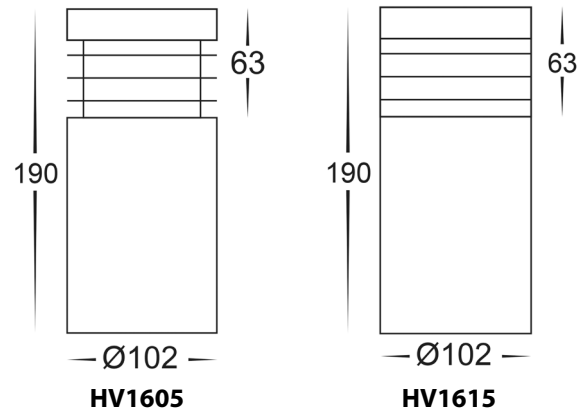
Mounting Base



Important Safety Issues:

- This product must be installed by a qualified electrician according to AS/NZS 3000. Ensure all electrical mains are disconnected before any installation.
- Modification of this product will void any warranty.
- Havit Lighting does not take responsibility for wrong installation, incorrect use, or use of installation material that does not belong to the system.
- When installing low voltage fittings, Voltage to fitting must be within +or- 5% of voltage required, if not within this allowance warranty will be voided.
- Aluminium and 304SS fittings must not be installed within 2km of any salt water environments.
- When installing copper fittings, gloves must be worn to avoid any oils transferring to fitting.
- All 316 & 304 stainless steel fittings must have regular cleaning maintenance to avoid any tea staining from forming on fitting. (Warranty does not cover Tea Staining)
- All o-rings and seals must be in place correctly to maintain warranty
- When installing surface mounted bollards, base plate must be installed on concrete or concrete pad, Fitting should not be installed under ground level, all holes including cable entry must be siliconed to prevent any water penetration into fitting, silicon must also be applied around fitting at ground level. Failure to do this will void warranty
- This form may be updated at any time due to product improvements, please check online installation form for most current version.

Dimensions



Steps for Installation:

1. Make sure that the electrical circuit is free of voltage (master switch off).
2. Remove 4x allen screws from side of fitting and put aside
3. Install baseplate in desired location using appropriate screws for application. The screws supplied are mild steel which must be replaced with higher grade if there is any chance of them being affected by water. The location of baseplate must be installed on either concrete or concrete base and cannot be installed under ground level.
4. Locate IP rated junction box within fitting. Undo screws from junction box and remove cover.
5. Insert cable through cable gland on junction box. If your cable is not circular you must fix entry of your cable to maintain IP rating. Failure to do so will void warranty.
6. Connect the cable using wire with earth. Connect earth first, then live and neutral wires.
7. Reattach cover to IP rated junction box making sure screws are tight and seals are still in place.
8. Silicon all cable entry holes and fixing points on baseplate to avoid moisture penetration into fitting.
9. Place bollard onto base plate and reattach 4x allen screws set aside earlier
10. Colour temperature is set to 3000K. To change, remove cover from fitting by twisting anti clockwise. for HV1605 models, remove the 2x nuts and washers and put aside Remove globe by also twisting anti clockwise and select desired colour temperature by moving switch on side of globe and then reinsert globe.
11. Reattach cover by turning clockwise or for HV1605 Models, reattach the 2x nuts first, making sure the seals are still in place and cover is tight to avoid any water penetration.
12. All connections must be carried out carefully, inspect all contacts before switching back on the electric circuit.

Steps for Changing Globe:

1. Remove cover from fitting by twisting anti clockwise. for HV1605 models, remove the 2x nuts and washers and put aside Remove globe by also twisting anti clockwise.
2. Re-insert the appropriate globe by twisting clockwise into the lamp holder (Make sure not to exceed max wattage, see product label for correct info)
3. Reattach cover by turning clockwise or for HV1605 Models, reattach the 2x nuts first, making sure the seals are still in place and cover is tight to avoid any water penetration.

Must be installed by a licensed electrician

Contact Details:

143 Beauchamp Road
Matraville NSW 2036
Australia
Tel: 02 9381 8300
Fax: 02 9666 8881
Email: sales@havit.com.au
Web: www.havit.com.au

Warranty Terms & Conditions*



Additional Information

