

# Onder Pond Light Installation Instructions



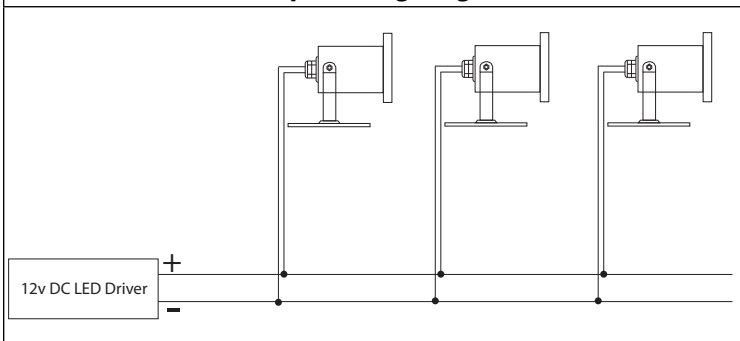
## Product Specifications

Model No.	HV1491T
Name	Onder
Material	316 Stainless Steel
Colour	Stainless Steel
IP Rating	IP68
Input Voltage	12v DC
Lamp Base	MR16
Lamp Wattage	1x 5w
Colour Temp	TRI Colour - 3000k, 4000k, 5500k
Lumens	270lm, 285lm, 300lm
CRI	> 80
Wiring	Parallel
Dimmable	No
Warranty	2 Years Replacement*

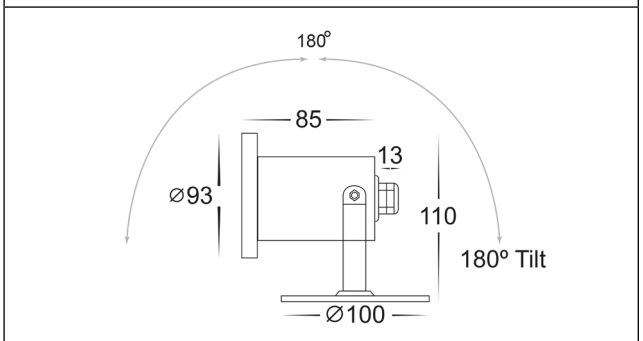
## Important Safety Issues:

- This product must be installed by a qualified electrician according to AS/ NZS 3000.
- Ensure all electrical mains are disconnected before any installation.
- Do not exceed maximum wattage restrictions for globes: 240V GU10 = 35w / 12V MR16 = 20w
- Modification of this product will void any warranty.
- Havit Lighting does not take responsibility for wrong installation, incorrect use, or use of installation material that does not belong to the system.
- When installing low voltage fittings, Voltage to fitting must be within +or- 5% of voltage required and cannot be installed more than 25m from LED Driver, if not within this allowance warranty will be voided.
- Aluminium and 304SS fittings must not be installed within 2km of any salt water environments.
- When installing copper fittings, gloves must be worn to avoid any oils transferring to fitting.
- All 316 stainless steel fittings must have regular cleaning maintenance to avoid any tea staining from forming on fitting. (Warranty does not cover Tea Staining)
- All o-rings and seals must be in place correctly to maintain warranty.
- These instructions may be updated at any time due to product improvements, Please visit website for most current installation instructions.

## Sample Wiring Diagram



## Dimensions



## Steps for Installation:

1. Make sure that the electrical circuit is free of voltage (master switch off)
2. Place fitting in desired location
3. Connect the cable -
4. Use an appropriate 12v DC LED Driver - DO NOT CONNECT LIGHT FITTING DIRECT TO 240V
5. Strip back cable on both fittings and cable run and twist the positive cable from fitting to positive on the cable run, then connect neutral from fitting to neutral on the cable run.
6. Solder all joins using solder with either a heat gun or butane gas torch.
7. Cover connections using an adhesive lined heat shrink or gel cap to make connection watertight. (failure to do this step will void warranty)
8. Heat the heat shrink or crimp the gel cap making sure all connections are covered. - CONNECTION CANNOT BE SUBMERSED IN WATER
9. Colour temperature is preset to 3000k, to change remove cover from fitting by undoing 4x screws and set aside. Remove globe from fitting and move switch on side of globe to desired colour temperature.
10. Reinsert globe by aligning pins of globe with holes of lampholder and push down gently.
11. Reattach cover by reinserting 4x screws making sure the seals are still in place and cover is tight to avoid any water penetration.
12. Double check all screws are tightened including cable gland on back of fitting before inserting into water. - Failure to do this will void warranty
13. All connections must be carried out carefully, inspect all contacts before switching back on the electric circuit.

## Steps for Changing Globes:

1. Remove the cover by undoing 4x screws and set aside, remove globe by grabbing the outside of the globe and pulling.
2. Re-insert the appropriate globe by inserting the 2 pins into the lampholder and pushing down gently. (Make sure not to exceed max wattage, see product label for correct info.)
3. Reattach cover by reinserting 4x screws making sure the seals are still in place and cover is tight to avoid any water penetration.
4. Double check all screws are tightened including cable gland on back of fitting before inserting into water. - Failure to do this will void warranty

## Must be installed by a licensed electrician

### Contact Details:

143 Beauchamp Road  
Matraville NSW 2036  
Australia

Tel: 02 9381 8300  
Fax: 02 9666 8881  
Email: sales@havit.com.au  
Web: www.havit.com.au

### Warranty Terms & Conditions\*



### Additional Information

