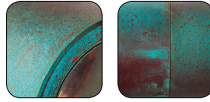


PRODUCT SPECIFICATIONS

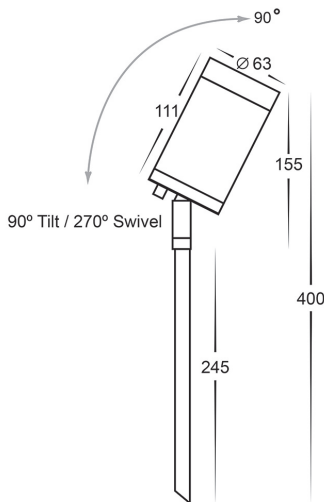
- Name:** Eden
- Material:** Copper
- Colour:** Copper (will age over time)
- IP Rating:** IP65
- Lamp Base:** MR16
- CRI:** ≥80
- Cable Length:** 2000mm
- Wiring:** Parallel
- Dimmable:** No
- Warranty:** 2 Years Replacement**



Weathered Copper

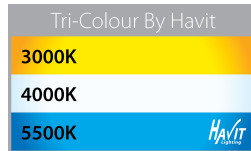


DIMENSIONS



Compatible with
Tri-Colour 9in1
3w, 5w, 7w
12v or 24v LED Globe

COLOUR TEMPERATURE



IP RATING



APPROVALS



Product Ordering

IMAGE	PART NUMBER	COLOURTEMP	LUMENS	INPUT	BEAM ANGLE	INCLUDED LED
	HV1412T	3000K 4000K 5500K	270lm 285lm 300lm	12v DC	120°	Tri-Colour 5w MR16 LED

12v DC models must be used with suitable 12v DC LED Driver

* Lumen output measured at source

** See Warranty Terms and Conditions for more information

For more information contact Havit Lighting

ADDRESS:
143 Beauchamp Road
Matraville NSW 2036
Australia

Tel: 02 9381 8300
Fax: 02 9666 8881
Email: sales@havit.com.au
web: www.havit.com.au