

Tivah Antique Brass Double Adjustable Wall Light

PRODUCT SPECIFICATIONS

Name	Tivah
Material	Solid Brass
Colour	Antique Brass
IP Rating	IP65
Lamp Base	GU10 or MR16
CRI	> 80
Wiring	Parallel
Dimmable	No - not with supplied globes
Warranty	2 Years Replacement



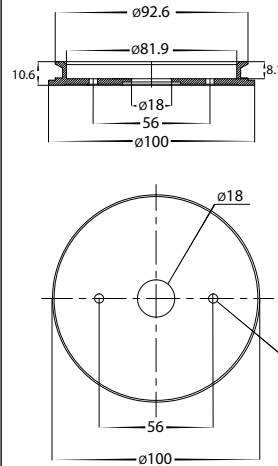
COLOUR TEMP

IP RATING

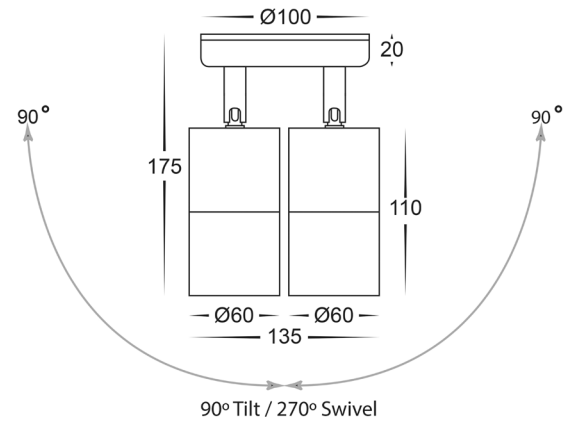
APPROVAL



MOUNTING BASE



DIMENSIONS



OPTIONAL DIMMABLE GU10 GLOBES (sold separately)

RECOMMENDED DIMMER FOR GU10 DIMMABLE GLOBES



PART NUMBER	COLOUR TEMP	LUMENS	INPUT VOLTAGE	BEAM ANGLE	INCLUDED LED
HV1395T	3000K 4000K 5500K	2x 240-560lm 2x 255-595lm 2x 270-640lm	240v AC	60°	9in1 TRI Colour 2x 3/5/7w GU10 LED
HV1397GU10T	3000K 4000K 5500K	2x 270lm 2x 285lm 2x 300lm	240v AC	120°	TRI Colour 2x 5w GU10 LED
HV1397MR16T	3000K 4000K 5500K	2x 270lm 2x 285lm 2x 300lm	12v DC	120°	TRI Colour 2x 5w MR16 LED (Must be used with a 12v DC LED Driver)

For More Information Contact Havit Lighting

143 Beauchamp Road
Matraville NSW 2036
Australia

Tel: 02 9381 83000
Fax: 02 9666 888
Email: sales@havit.com.au
Web: www.havit.com.au



Warranty Terms & Conditions



Additional Information