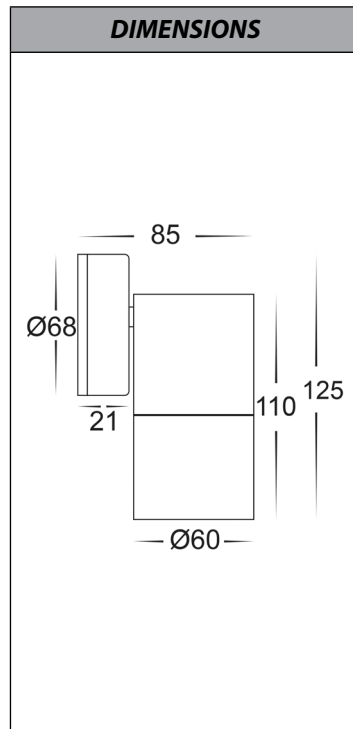
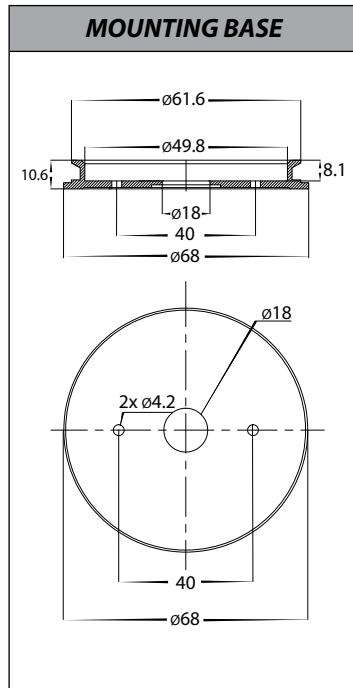


# Tivah 316 Stainless Steel Fixed Down Wall Light

PRODUCT SPECIFICATIONS	
Name	Tivah
Material	316 Stainless Steel
Colour	Stainless Steel
IP Rating	IP65
Lamp Base	GU10 or MR16
CRI	> 80
Wiring	Parallel
Dimmable	No - not with supplied globes
Warranty	2 Years Replacement



COLOUR TEMP	IP RATING	APPROVAL
 3000K 4000K 5500K	 INDOOR/OUTDOOR WEATHERPROOF	



**OPTIONAL DIMMABLE GU10 GLOBES**  
(sold separately)

HV9555 Models

HV9506D

**RECOMMENDED DIMMER FOR GU10 DIMMABLE GLOBES**

HV9625

PART NUMBER	COLOUR TEMP	LUMENS	INPUT VOLTAGE	BEAM ANGLE	INCLUDED LED
<b>HV1105T</b>	3000K 4000K 5500K	240-560lm 255-595lm 270-640lm	240v AC	60°	 <b>9in1 TRI Colour</b> 3/5/7w GU10 LED
<b>HV1107GU10T</b>	3000K 4000K 5500K	270lm 285lm 300lm	240v AC	120°	 <b>TRI Colour</b> 5w GU10 LED
<b>HV1107MR16T</b>	3000K 4000K 5500K	270lm 285lm 300lm	12v DC	120°	 <b>TRI Colour</b> 5w MR16 LED (Must be used with a 12v DC LED Driver)

For More Information Contact Havit Lighting

143 Beauchamp Road  
Matraville NSW 2036  
Australia

Tel: 02 9381 83000  
Fax: 02 9666 888  
Email: sales@havit.com.au  
Web: www.havit.com.au



Warranty Terms & Conditions



Additional Information