

Highlite Up & Down Wall Light Installation Instructions



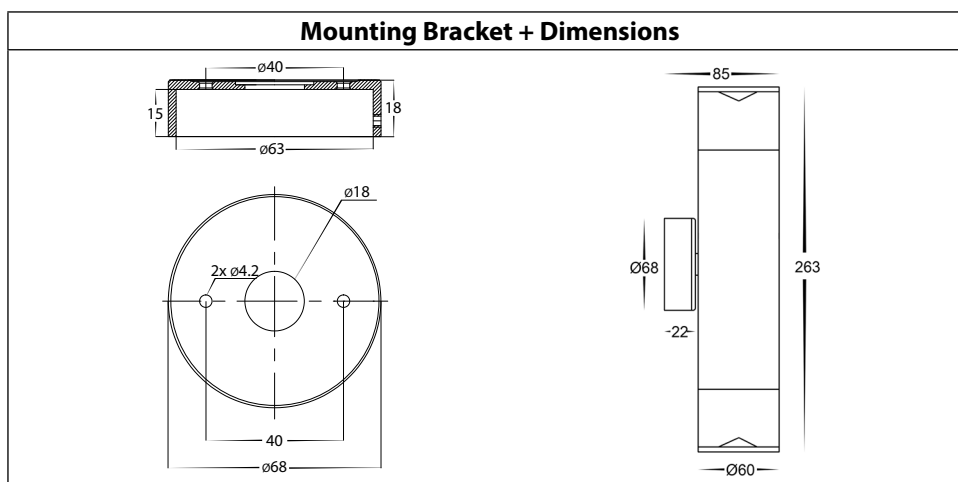
Product Specifications

Model No.	HV1089T-BLK-240V	HV1089T-TTM-240V
Name	Highlite	
Material	Aluminium	
Colour	Stainless Steel	Black
IP Rating	IP65	
Input Voltage	240v AC	
Lamp Base	GU10	
Lamp Wattage	2x 5w	
Lumens	2x 270lm, 2x 285lm, 2x300lm	
Colour Temp	TRI Colour - 3000k, 4000k, 5500k	
CRI	> 80	
Wiring	Parallel	
Dimmable	No (with globes supplied)	
Warranty	2 Years Replacement*	

Important Safety Issues:

- This product must be installed by a qualified electrician according to AS/NZS 3000.
- Ensure all electrical mains are disconnected before any installation.
- Modification of this product will void any warranty.
- Havit Lighting does not take responsibility for wrong installation, incorrect use, or use of installation material that does not belong to the system.
- When installing low voltage fittings, Voltage to fitting must be within +or- 5% of voltage required, if not within this allowance warranty will be voided.
- Aluminium and 304SS fittings must not be installed within 2km of any salt water environments.
- When installing copper fittings, gloves must be worn to avoid any oils transferring to fitting.
- All 316 stainless steel fittings must have regular cleaning maintenance to avoid any tea staining from forming on fitting.
(Warranty does not cover Tea Staining)
- All o-rings and seals must be in place correctly to maintain warranty.
- Must be used with LED Globes only
- These instructions may be updated at any time due to product improvements, Please visit website for most current installation instructions.

Mounting Bracket + Dimensions



Steps for Installation:

1. Make sure that the electrical circuit is free of voltage (master switch off)
2. Loosen allen screws on side of base and separate mounting bracket from fitting.
3. Install the backing plate securely using appropriate screws for application, Seal all holes in the backing plate including cable entry and screw holes. Failure to do so will void warranty.
4. Connect the cable - use wire with earth; connect the earth first, then live and neutral wire
5. Affix the fitting to the mounting bracket and tighten screws, making sure these are tight to avoid any water penetration.
6. Apply silicon seal around the whole base plate to avoid any water getting into electrical connections.
7. Colour temperature is preset to 3000k, to change remove covers from fitting by twisting anti clockwise and set aside. Remove globes and select desired colour temperature by moving switch on side of globe and reinsert globes into lampholders.
8. Reattach covers by turning clockwise making sure the seals are still in place and caps are tight to avoid any water penetration.
9. All connections must be carried out carefully, inspect all contacts before switching back on the electric circuit.

Steps for Changing Globe:

1. Remove the cover by twisting anti-clockwise and set aside, remove globe by also twisting anti-clockwise.
2. Re-insert the appropriate globe by inserting the 2 circular pins into the lampholder and twisting clockwise.
(Make sure not to exceed max wattage, see product label for correct info- **MUST BE USED WITH LED GLOBES ONLY**.)
3. Reattach cover by turning clockwise making sure the seals are still in place and caps are tight to avoid any water penetration.

Must be installed by a licensed electrician

Contact Details:

143 Beauchamp Road
Matraville NSW 2036
Australia

Tel: 02 9381 8300
Fax: 02 9666 8881
Email: sales@havit.com.au
Web: www.havit.com.au

Warranty Terms & Conditions*



Additional Information



HV1089T-BLK-240V



HV1089T-TTM-240V