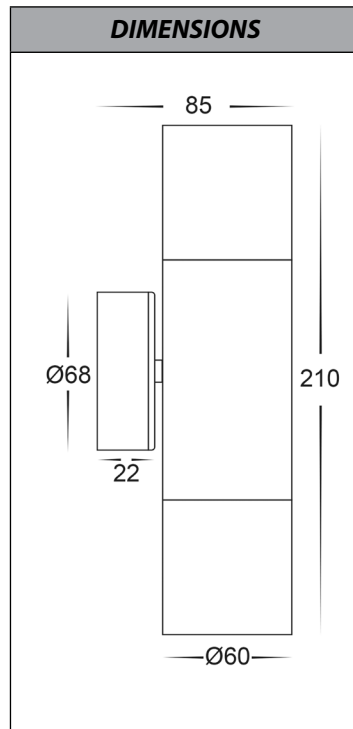


Tivah Aluminium Titanium Up & Down Light

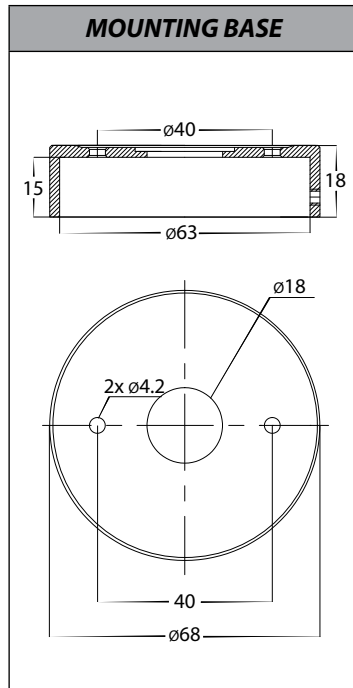
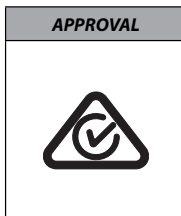
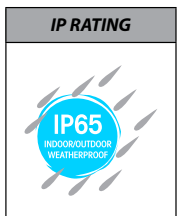
PRODUCT SPECIFICATIONS	
Name	Tivah
Material	Aluminium
Colour	Titanium
IP Rating	IP65
Lamp Base	GU10 or MR16
CRI	> 80
Wiring	Parallel
Dimmable	No - not with supplied globes
Warranty	2 Years Replacement



COLOUR TEMP

Tri-Colour By Havit

3000K
4000K
5500K



PART NUMBER	COLOUR TEMP	LUMENS	INPUT VOLTAGE	BEAM ANGLE	INCLUDED LED
HV1085T	3000K 4000K 5500K	2x 240-560lm 2x 255-595lm 2x 270-640lm	240v AC	60°	9in1 TRI Colour 2x 3/5/7w GU10 LED
HV1087GU10T	3000K 4000K 5500K	2x 270lm 2x 285lm 2x 300lm	240v AC	120°	TRI Colour 2x 5w GU10 LED
HV1087MR16T	3000K 4000K 5500K	2x 270lm 2x 285lm 2x 300lm	12v DC	120°	TRI Colour 2x 5w MR16 LED (Must be used with a 12v DC LED Driver)

For More Information Contact Havit Lighting

143 Beauchamp Road
Matraville NSW 2036
Australia

Tel: 02 9381 83000
Fax: 02 9666 888
Email: sales@havit.com.au
Web: www.havit.com.au



Warranty Terms & Conditions



Additional Information