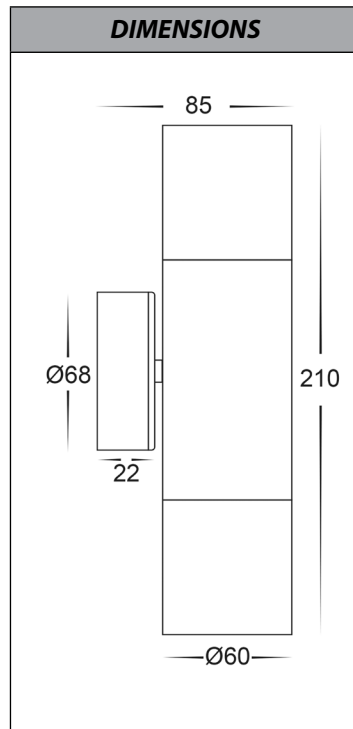


# Tivah Aluminium Silver Up & Down Light

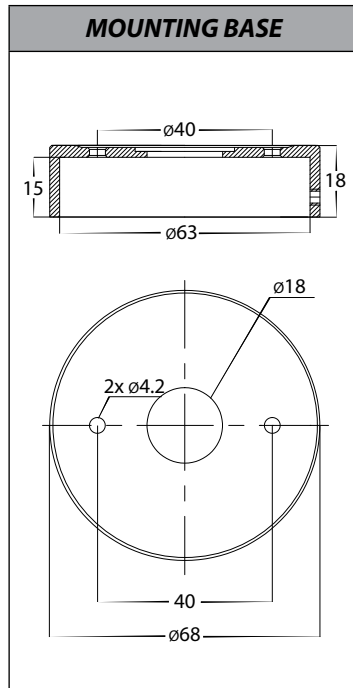
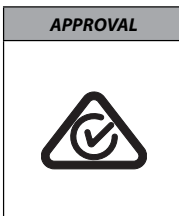
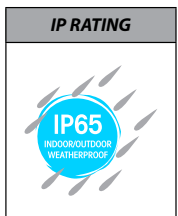
PRODUCT SPECIFICATIONS	
Name	Tivah
Material	Aluminium
Colour	Textured Silver
IP Rating	IP65
Lamp Base	GU10 or MR16
CRI	> 80
Wiring	Parallel
Dimmable	No - not with supplied globes
Warranty	2 Years Replacement



**COLOUR TEMP**

Tri-Colour By Havit

3000K
4000K
5500K



PART NUMBER	COLOUR TEMP	LUMENS	INPUT VOLTAGE	BEAM ANGLE	INCLUDED LED
<b>HV1045T</b>	3000K 4000K 5500K	2x 240-560lm 2x 255-595lm 2x 270-640lm	240v AC	60°	<b>9in1 TRI Colour</b> 2x 3/5/7w GU10 LED
<b>HV1047GU10T</b>	3000K 4000K 5500K	2x 270lm 2x 285lm 2x 300lm	240v AC	120°	<b>TRI Colour</b> 2x 5w GU10 LED
<b>HV1047MR16T</b>	3000K 4000K 5500K	2x 270lm 2x 285lm 2x 300lm	12v DC	120°	<b>TRI Colour</b> 2x 5w MR16 LED (Must be used with a 12v DC LED Driver)

For More Information Contact Havit Lighting

143 Beauchamp Road  
Matraville NSW 2036  
Australia

Tel: 02 9381 83000  
Fax: 02 9666 888  
Email: sales@havit.com.au  
Web: www.havit.com.au



Warranty Terms & Conditions



Additional Information