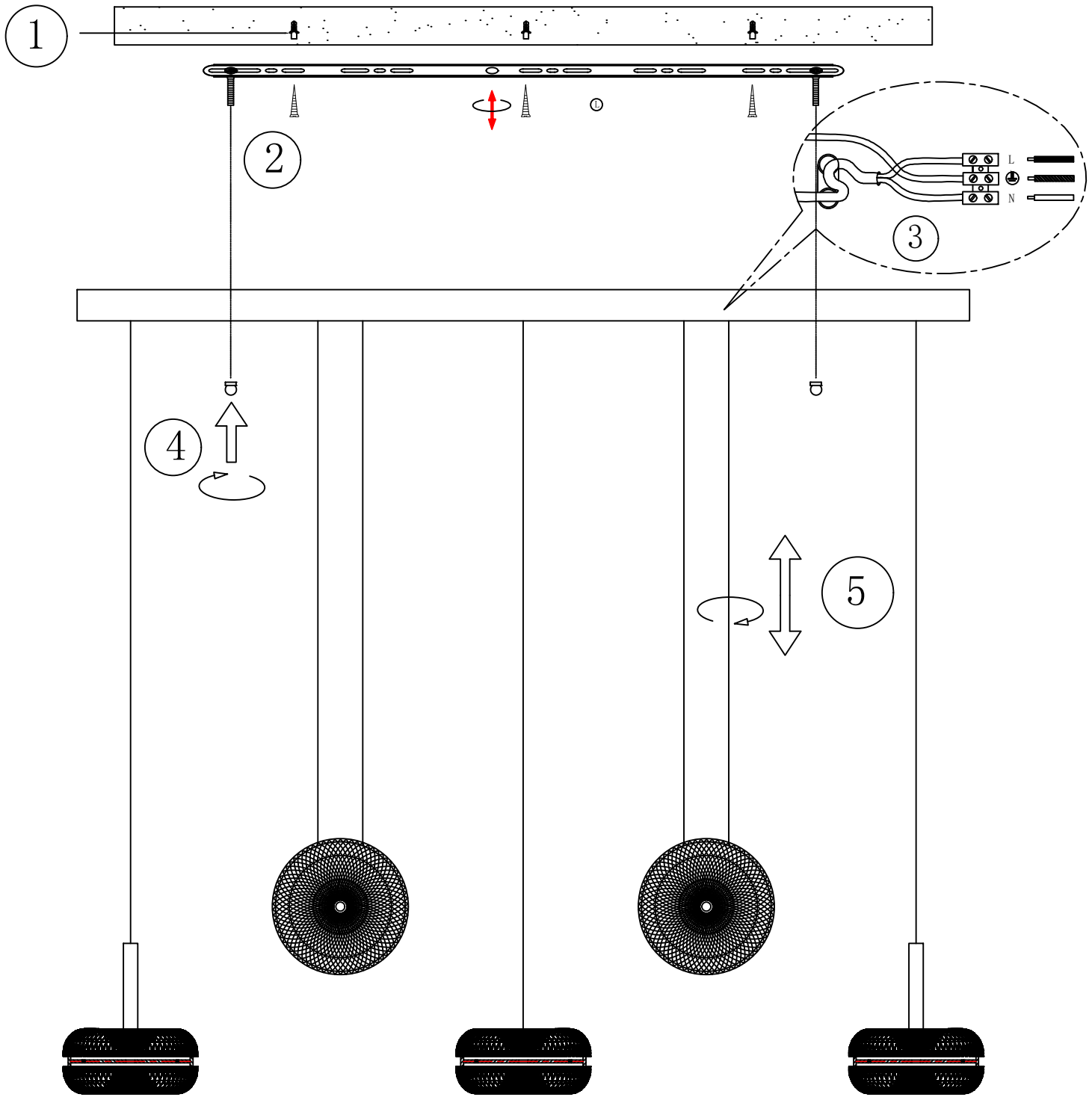


# ITEMNO.:GOVAN PE5B



**Telbix.**

240V ~ 50Hz LED 10Wx5  
3000K NO-DIM

**IMPORTANT**  
Must be installed by  
a qualified electrical  
contractor.  
Install in accordance  
with AS/NZS3000