

GEAR-350

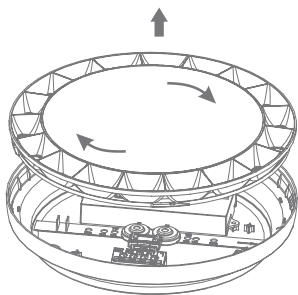
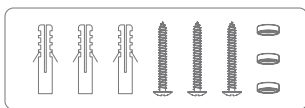
Variants	Item No.	Colour Temp
22672	GEAR-350	TRIO

Thank you for purchasing your new GEAR-350 Ceiling Light, Please take the time to read and understand the instruction sheet below. Failure to do so may void warranty.

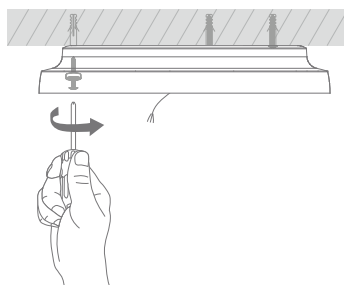
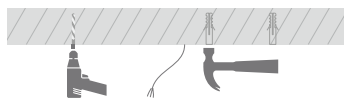
Specifications

24W

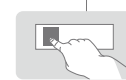
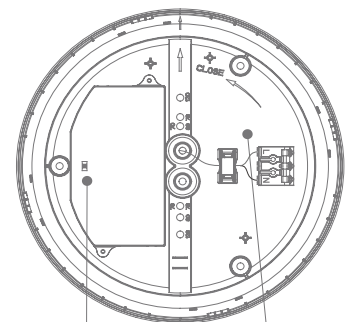
Voltage:	240V	Lumen (±5%):	WW 3000K - 2250lm NW 4000K - 2550lm W 5700K - 2750lm	Dimmable:	Yes
Power:	24W	Beam Angle:	80°	Operating Temp:	-20°C ~40°C
IP Rating:	54	CCT:	3000K - 4000K - 5700K (Switchable)	Power Factor:	≥0.9
CRI:	≥80	Lifespan:	50,000hrs		



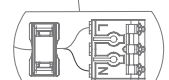
1



2

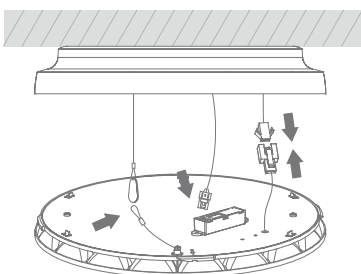


Please select desired colour temperature before installation

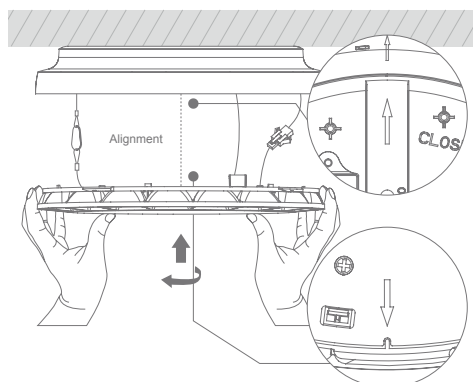


L — Switched
N — Neutral

3



4



5



6

Note: -The lamp must be installed by professional electrician
-Ensure the power supply is switched off before fitting this product

-Do not touch the lamp when in use
-Keep away from hot steam and corrosive gas