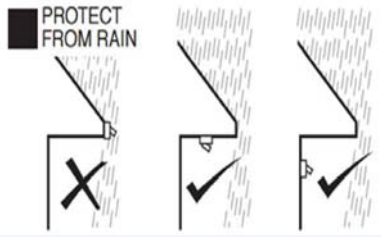
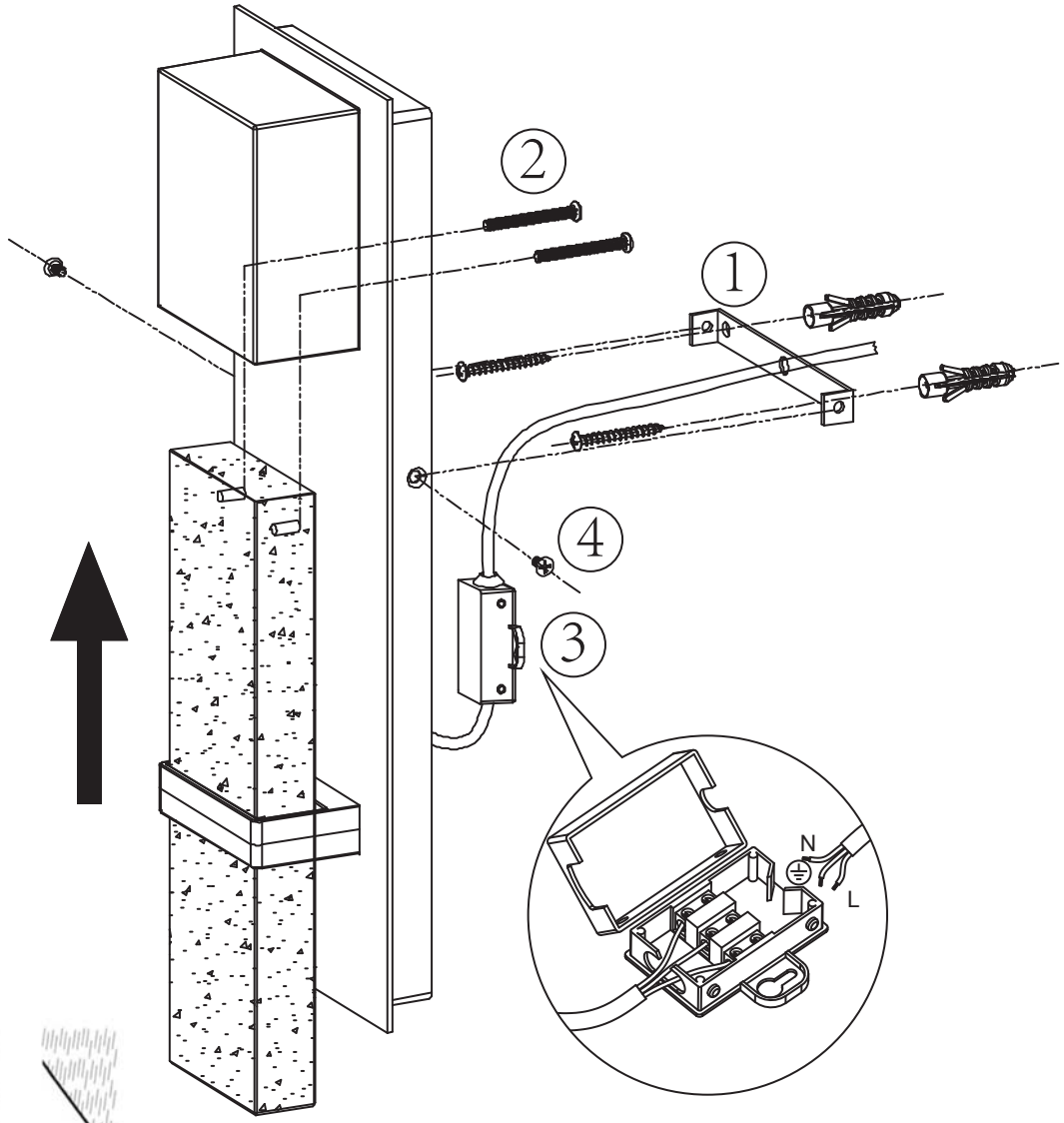


ITEMNO.:ESTRADA EX-



IMPORTANT
Must be installed by a qualified electrical contractor.
Install in accordance with AS/NZS3000



Telbix. 240V ~ 50Hz LED Max.10W 3000K NO-DIM