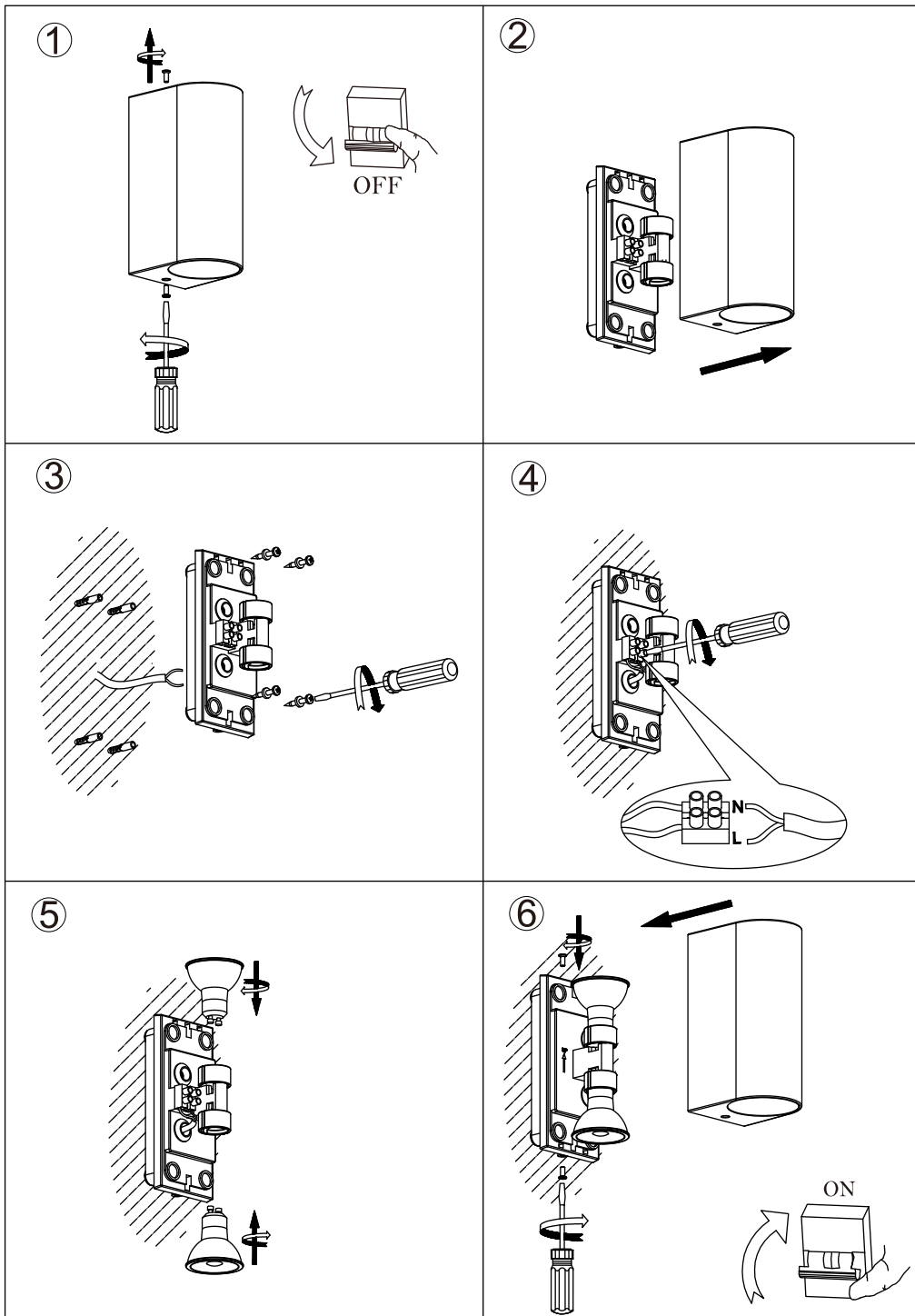


# ITEM NO.:EOS2 EX2



PROTECT FROM RAIN



Disclaimer:  
 Tools not included  
 Shade ring attached on lamp holder  
 Globe(s) not included

240V ~ 50Hz GU10 Max.6Wx2

**telbix.**

NOTE: GLOBE NOT INCLUDED

**IMPORTANT**  
 Must be installed by a qualified electrical contractor.  
 Install in accordance with AS/NZ3000