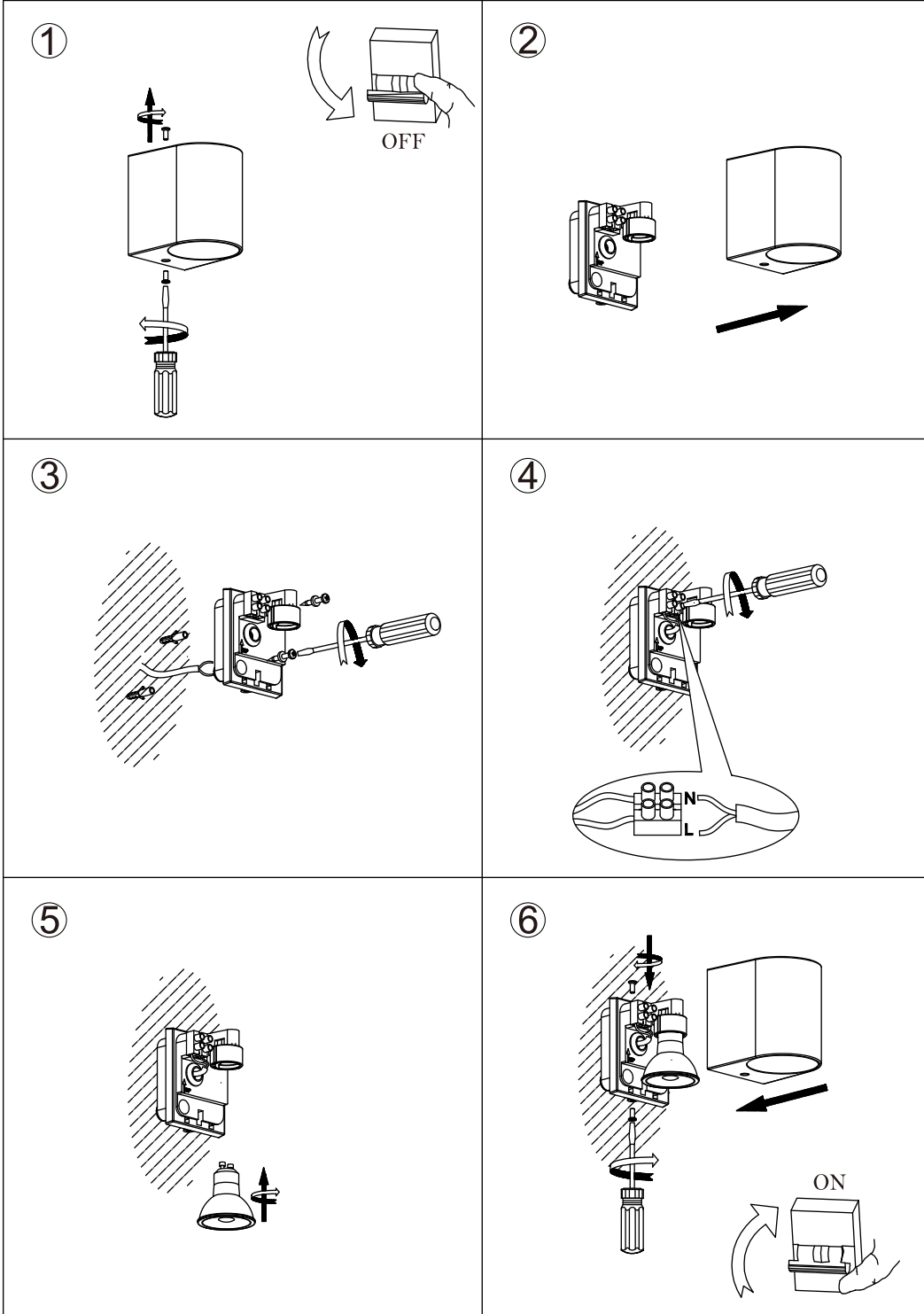


ITEM NO.: EOS2 EX1



PROTECT FROM RAIN



Disclaimer:
 Tools not included
 Shade ring attached on lamp holder
 Globe(s) not included

240V ~ 50Hz GU10 Max.6W

telbix.

NOTE: GLOBE NOT INCLUDED

IMPORTANT

Must be installed by a qualified electrical contractor.
 Install in accordance with AS/NZ3000