

Installation Manual

ELITE SPIKE

Date:8/2019

Order Code	Product Code	Description
19501	ELITE-SPIKE-WW	Natural Anodised Aluminium, Exterior LED Light. Warm White 3000K
19500	ELITE-SPIKE-W	Natural Anodised Aluminium, Exterior LED Light. White 5000K
19499	ELITE-SPIKE	Natural Anodised Aluminium, Exterior LED Light. Body Only

Thank you for purchasing your new LED ELITE SPIKE, Please take the time to read and understand the instruction sheet below. Failure to do so may void warranty.

Specifications

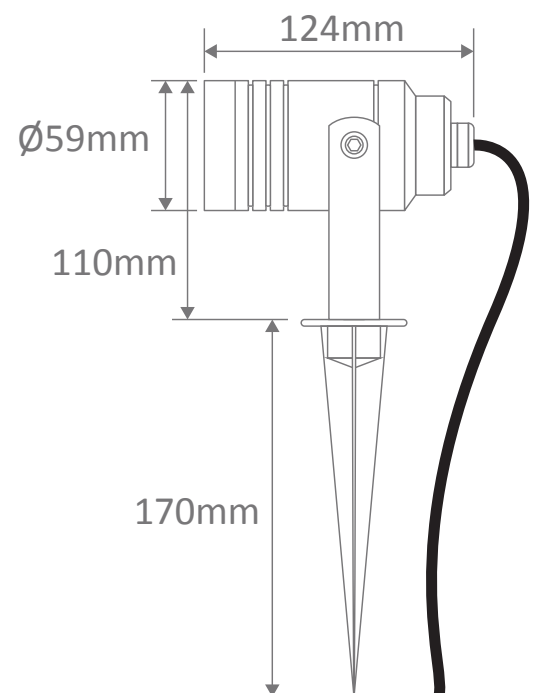
Voltage:	12V DC	Lumen (±5%):	450lm (3000K) 500lm (5000K)	Dimmable:	No
Power:	6W	Beam Angle:	60°	CRI:	≥80
IP Rating:	65	CCT:	3000K - 5000K	Lifespan:	50,000hrs

Requires 12V DC Constant Voltage LED Driver – Wire in Parallel

Please note: The above information is applied if using the supplied complimentary lamp. If any other lamp is used please take notice of the supplier’s recommendations before connection.

Steps:

- Please make a visual inspection to the fixture prior to installation. If any defect is to be found please return to you place of purchase for a replacement.
- Make sure all power is correctly turned off from the mains and NOT just from the switch.
- Unscrew the lamp cover from the main body. Carefully insert the supplied lamp ensuring the pins line up before securing into place.
- Ensure the silicon gasket is in place. Please do not over tighten as this may damage the gasket and inhibit correct IP protection.
- To keep the finish maintained and in good appearance the manufacture recommends cleaning the fixture once every 12 months with clean fresh water and a mild soap. Please rinse well.



Note: -The lamp must be installed by professional electrician
-Ensure the power supply is switched off before fitting this product

-Do not touch the lamp when in use
-Keep away from hot steam and corrosive gas