

INSTALLATION INSTRUCTIONS AND HOLE-CUTTING TEMPLATE

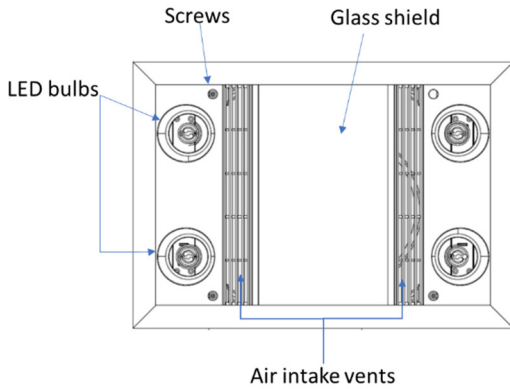
Thank you for purchasing your new **EGLO Bathroom Heater/Exhaust/Light**.

To ensure a safe and successful installation, please make sure to read this manual, ensure it is on hand for your installer to refer to and keep in a safe place for future reference.

FOR YOUR SAFETY:

1. ALL electrical work should only be carried out by a licenced electrical contractor in accordance with AS NZS 3000.
2. This appliance is not intended for use by persons (including children) with reduced physical, sensory, or mental capabilities, or lack of experience and knowledge, unless they have been given supervision or instruction concerning the use of the appliance by a person responsible for their safety.
3. Before commencing any electrical work, ensure the power is disconnected and/or the mains switched off at the power supply.
4. When cutting into the ceiling or wall, do not damage any electrical wiring or hidden utilities.
5. This product has been designed to operate on a nominal supply voltage of 230V -240V AC
6. The Bathroom Heater/Exhaust/Light unit must be earthed.
7. Disconnection may be achieved by having the plug accessible, or by incorporating a switch into the fixed wiring in accordance with wiring rules. The Bathroom Heater/Exhaust/Light must be isolated by means of a plug or all-pole disconnection switch with a contact separation of at least 3mm in each pole.
8. Use the Instant Heat only as described in this instruction, other use may cause fire or electric shock.
9. This product has been designed for INDOOR domestic or similar uses and is not suitable for a commercial installation. It is not suitable for use in an environment heavily-laden with dust and/or corrosive areas. Under these conditions the life of the fan motor can be significantly reduced.
10. The heat lamp and glass shield are hot when in use. Do not touch the heat lamp or glass shield with any part of your body when in use. Allow to cool sufficiently before touching or replacing.
11. This product contains no serviceable parts and no attempt should be made to repair this product.
12. Regular cleaning of dust and contaminants should be done with ONLY a damp cloth, solvents should never be used.
13. This product has been designed to operate in ambient temperatures between 5°C to 40°C.
14. This product is to be installed so that switches CANNOT be touched or operated by a person in the bath or shower.
15. Joists, beams and rafters must not be cut, notched or damaged in the installation of this product.
16. Airflows listed in this product indicate the product performance. Refer to the BCA (Building Code of Australia), or similar, for the appropriate number of room air changes required for a particular installation.
17. Ventilation products must have an adequate source of external air to ensure rated performance can be achieved.
18. The ducting of the Bathroom Heater/Exhaust/Light must not be put in the same flue as air-fuelled water heaters or open-fire appliances.
19. This product should not be enclosed in thermal insulation as it may cause the unit to overheat.
20. This product should not be operated for more than 40 minutes continuously, turn off when not in use.
21. The terminals on this product should not be over-tightened. Over tightening may damage the product, under tightening may result in hot joints.
22. This unit is for ceiling mounting only, a minimum 2.2m above floor level. Do not install in wardrobes or within 250mm of walls. There is a danger of combustion if placed too close to curtains or other flammable materials.
23. Consideration must be taken in the installation of ducts to ensure that condensation that will form in the duct will not run back in to the fan housing.
24. The material in this product may vary in colour from batch to batch. Colour matching from one batch to another cannot be guaranteed.
25. After installation this product must be tested as required by the appropriate government and/or statutory regulations.
26. EGLO lighting will not be liable for any advice given to the consumer from any of our suppliers or third parties, related or otherwise.
27. The important safeguards and instructions in this manual are not designed to cover every possible condition or circumstance. It is understood that common sense, caution and care are factors that cannot be built into the product, those using and maintaining this product must supply these factors.

PARTS LIST:



Operation unit	1 piece
Halogen heat lamp (1000W)	1 piece
Installation instruction & hole-cutting template	1 piece
Warranty card	1 piece
Ducting kit	1 set
Backdraft stopper	1 set
Duct clip	3 pieces
Switch	1 piece

SPECIFICATIONS:

Model Number	
Rated Voltage	220V-240V
Rated Frequency	50Hz
Rated Power	990 – 1080W

EGLO Lighting has a policy of continual product improvement and development, dimensions, hardware and designs may change to reflect this policy. EGLO reserves the right to discontinue or change product specifications & designs at any time without notice and without incurring obligations. The images including all features and specifications in this manual are for illustrative purposes only. Product details, images & line drawings may vary depending on specific product models.

INSTALLATION CONSIDERATIONS:

- The unit should not be installed directly above a shower or bath. The unit must not be installed where water may splash onto the bulbs.
- The unit must not be installed beneath a fixed socket.
- The unit is designed for installation on flat ceilings only. Do not install on sloping ceiling or on a vertical wall.
- The heat lamp is most effective when you are standing directly beneath them, install the unit above where you would stand to dry yourself. To obtain the best heating effect, there should be about 2.3m from the unit to the floor.
- For the exhaust fan to work effectively, replacement air of a volume equivalent to what is being extracted must be able to enter the room. If the room is airtight, leave a door or window open slightly to allow enough airflow.
- Before commencing installation, check the ceiling space to ensure there are no obstructions such as ceiling joists, and that there is sufficient height clearance for the housing.

INSTALLATION:

1. Turn the power OFF.
2. Locate a desired position on the ceiling, do not cut a hole yet.
3. As the duct is only 3.0m, make sure that the distance from the centre of the installation position is not more than 3.0m from the exterior vent outlet. It is not recommended to use ducting longer than 3.0m as this will lower the performance of the exhaust fan. Check desired position suits duct length.
4. Locate a position for the exterior vent on the wall not more than 3.0m from the centre of the unit, and as straight as possible. (Refer Fig. 1)
5. Place this template against the ceiling and use this template to mark the hole outline on the ceiling, ensuring there is minimum 250mm between the edges of the unit and any wall, and minimum cavity height of 250mm. Cut a hole for the unit. (Refer Fig. 2)
6. Keep unit clear from insulation, use a barrier to keep loose-filled insulation material away from unit.

Fig. 1

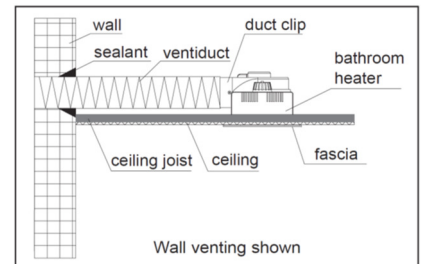


Fig. 2

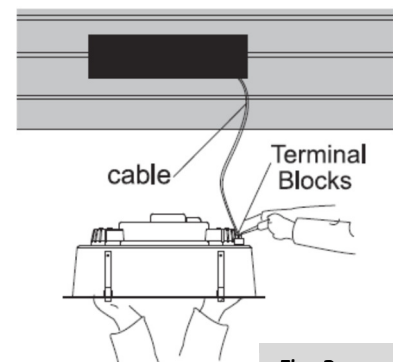
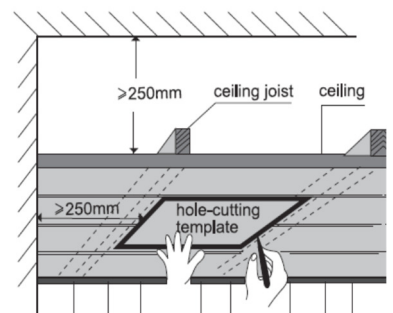


Fig. 3

7. Cut a 155mm diameter hole for the exterior vent outlet.
8. Connect one end of the ducting to the exterior vent and seal the space around the hole.
9. Remove all bulbs from the unit, remove the 4 screws, unclip the internal fascia retaining springs located under the air intake vents, and remove the fascia.
10. Remove the halogen heat lamp from the unit. Note: Use a cloth or glove so your bare hands do not touch the bulb, touching the bulb will shorten the bulbs life.
11. Connect one end of the interconnecting cable wire with the switch panel.
12. Open the terminal block cover on the housing and make connections as per wiring diagram and reattach the terminal block cover. (Refer Fig. 3)
13. Attach the end of the ducting to the unit, and secure with the duct clips provided.
14. Position the Bathroom Heater/Exhaust/Light unit into the hole, making sure the duct outlet is aligned with the exterior vent, ensure all cabling is away from the housing, and secure in place with the two spring clips. (Refer Fig. 4)
15. Fix the housing into the ceiling using the four wooden screws. (Note: Fixing screws included are for timber fixings only, for all alternate fixing materials, appropriate screws must be sourced by the installer or consumer)
16. Attach the fascia to the unit using the internal fascia retaining springs inside the housing and screws.
17. Install the bulbs.
18. Install the halogen heat lamp. (Refer Fig. 5) Note: The heat lamp is half coated with a white reflector. When you install the heat lamp, direct the back of the reflector to the ceiling so you can see the heat lamp filament, or performance will be reduced.
19. Clean the bulbs and fascia.
20. Attach the switch panel to the wall.

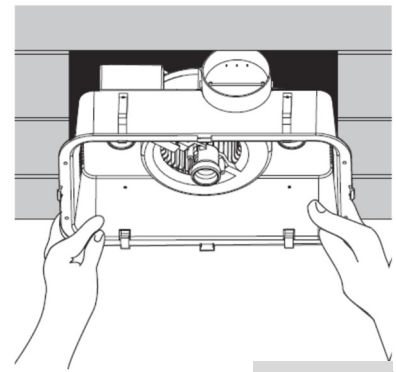


Fig. 4

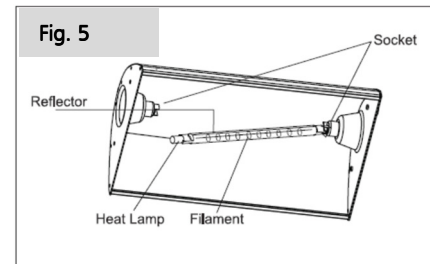
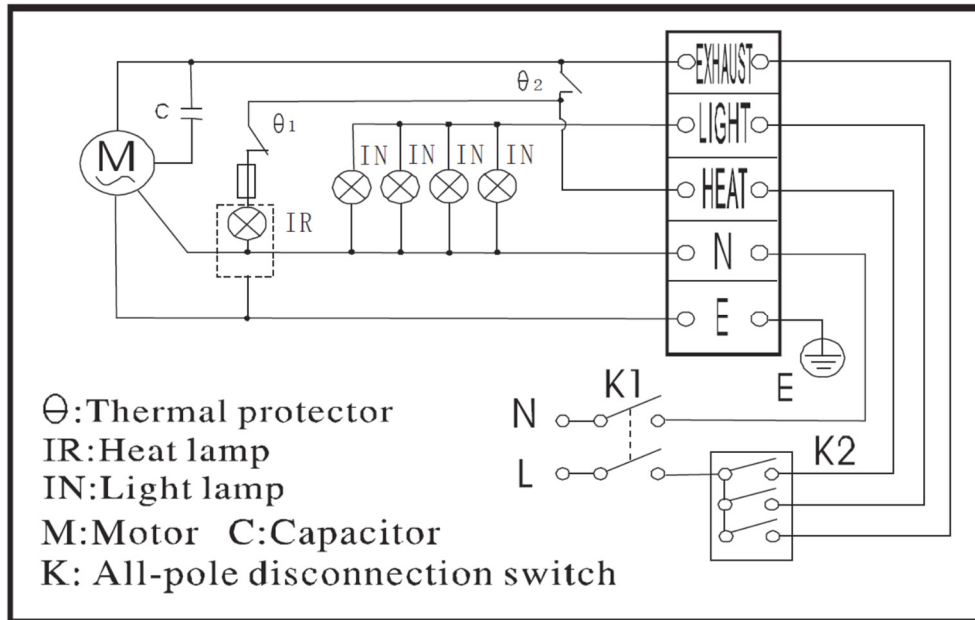


Fig. 5

WIRING DIAGRAM:



Note: This unit is fitted with a thermal protection system; the unit is fitted with a 90-degree resettable thermal switch to activate the exhaust fan, a 100-degree resettable thermal switch to cut off the power to the halogen heater, and a 121-degree thermal fuse to cut off the power to the halogen heater. If this fuse has blown, you will need to determine why the unit has overheated BEFORE replacing the fuse inside the unit.

OPERATION:

- Heat:** Turn 'HEAT' switch on/off.
Switches the halogen heat lamp on, do not touch the glass shield while in use.
- Exhaust:** Turn 'FAN' switch on/off.
The exhaust fan will extract the steam and odours quickly and efficiently.
- Light:** Turn 'LIGHT' switch on/off.
Turn the lights off when you leave the room.

MAINTENANCE:

Cleaning:

- Turn the power OFF.
- When cool to touch, wipe glass shield and fascia with care using a damp soft cloth with just a small amount of neutral detergent.

Bulb Replacement:

- Check and tighten the bulbs regularly.
- Turn the power OFF.
- Use max. 4 x 275W E27 R125 Infrared heat bulbs (EGLO part No.: ETxxxx)
- ONLY use designated bulbs, other bulbs may cause damage or danger.

WARRANTY:

EGLO offers the original purchaser a repair or replacement of the EGLO product in cases where the product fails due to defective materials or workmanship, when installed and operated under normal domestic/residential conditions for 3 years from the date of original purchase. Refer to the Warranty booklet enclosed with this product for further details.

