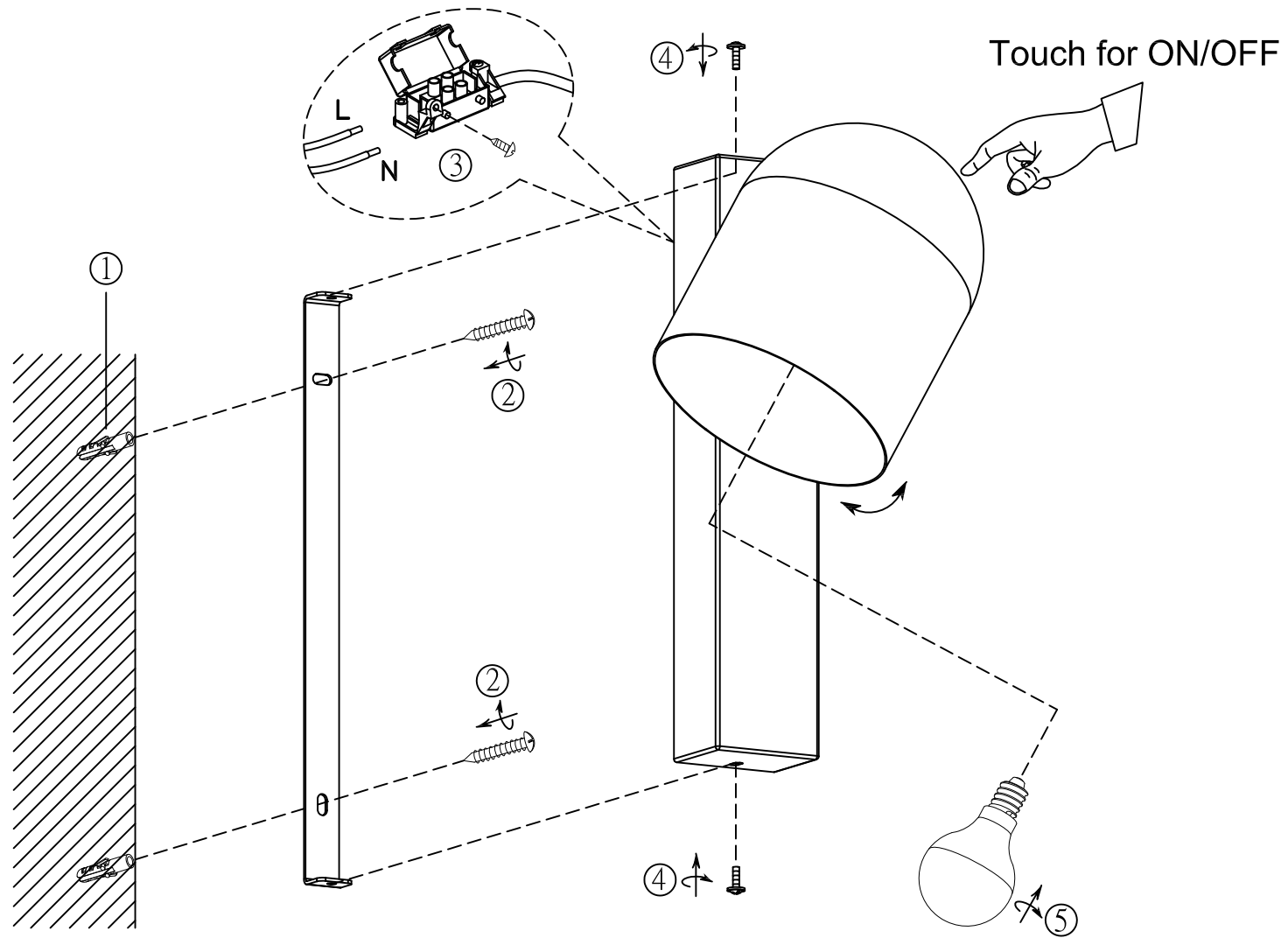


ITEM NO.: ECHO WB



Telbix.

240V ~50 Hz 5w E14 - 3000K
NOTE: Globe Included.

IMPORTANT
Must be installed by
a qualified electrical
contractor.
Install in accordance
with AS/NZS3000