

EASY-300-RND

Variants	Item No.	Colour Temp
20955	EASY-300-RND-WHT	TRIO


Description: Polycarbonate ceiling light

Thank you for purchasing your new EASY-300-RND Ceiling Light, Please take the time to read and understand the instruction sheet below. Failure to do so may void warranty.

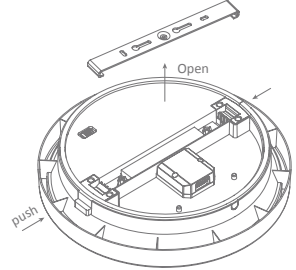
Specifications

Voltage:	240V AC	Lumen (±5%):	Warm White 3000K - 1500lm Neutral White 4000K - 1660lm White 5700K - 1820lm	Dimmable:	Yes
Power:	18W	Beam Angle:	120°	Operating Temp:	-20°C~45°C
IP Rating:	IP54	CCT:	3000K - 4000K - 5700K	Power Factor:	
CRI:	≥80	Lifespan:	50,000hrs		

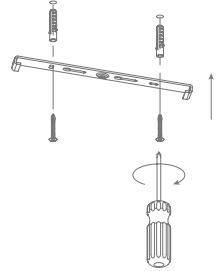
1. Take out Easy and accessory pack from box



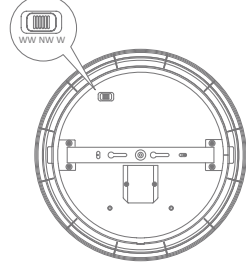
2. Press the side push tabs to take out the bracket



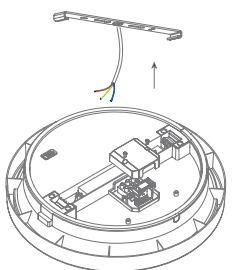
3. Knock-in the plastic anchor into ceiling. Fix bracket with screw into the ceiling.



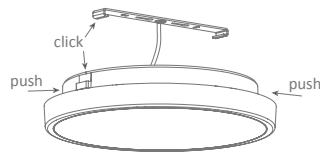
4. CCT switchable function: Choose CCT by slide switch before mounting to ceiling/wall.



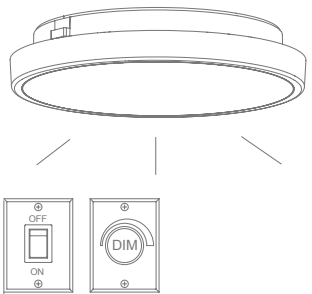
5. Remove the driver cover and line pressing clip, connect the wires correspondingly.



6. Insert the lamp on the bracket, make sure the lamp fixed well



7. Switch on



Note: -The lamp must be installed by professional electrician
-Ensure the power supply is switched off before fitting this product

-Do not touch the lamp when in use
-Keep away from hot steam and corrosive gas