

## EASY-300-RND Ceiling Light



### Description

Modern surface mounted double insulated ceiling light, robust design and suitable to with stand most weather conditions, ideal for indoor and outdoor residential or commercial lighting applications. Designed with push-in mounting bracket for easy installation. Fully dimmable, has an estimated lifetime of 50,000 hours and is backed by our Three Year Replacement Warranty.

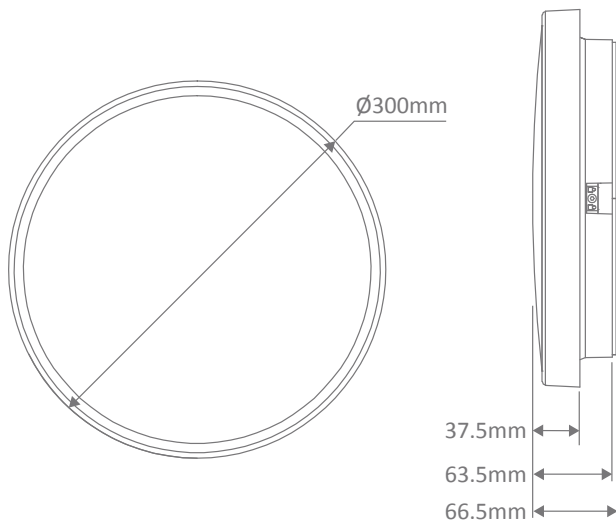


### Specification Features

Input Voltage:	240V Ac
Power (W):	18W
IP rating (IP):	IP54
Lumens (lm):	Warm White 3000K - 1500lm Neutral White 4000K - 1660lm White 5700K - 1820lm
LED type:	SMD
CCT:	3000K - 4000K - 5700K
CRI:	≥80
Beam angle (°):	120°
Dimmable:	Yes*
Lifespan (hrs):	50,000hrs

\* Dimmable on LED Universal Rotary type dimmers.

### Diagrams / Additional



Item No.	Variant	Colour Temperature
EASY-300-RND-WHT	20955	TRIO