

Driver 24V IP20 Dim 20W Constant Voltage Dimmable LED Driver



Description

DRIVER-24V-IP20-DIM Series are a range of indoor Triac Dimmable 24V DC Constant Voltage LED Indoor Drivers for use with LED strip lighting, inground uplighters, garden spike lighting and much more. Secondary side short circuit protection. Thermal overload protection, over temperature protection and over voltage protection. Complete with 1M flex and plug. Fully dimmable with suitable dimmers. Indoor use only. Choose from 12W, 20W, 30W, 40W, 60W, 80W and 100W wattages. Parallel wiring. Backed by a 5 Year replacement Warranty.

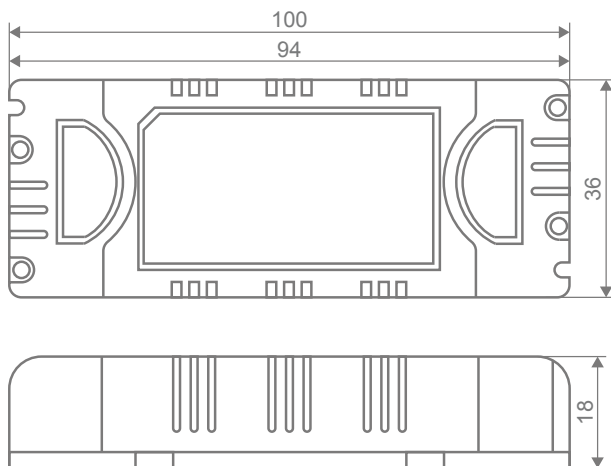


Specification Features

Input Voltage:	240V AC
Power (W):	20W
Output Voltage:	24V DC
Output Current:	0.83A
Dimmable:	Yes
IP rating (IP):	IP20
Efficiency:	up to 89%; PF>0.95
Weight (g):	69
Size (mm):	100x36x18

Diagrams / Additional

Item No.	Variant	Wattage
DRIVER-24V-IP20-DIM	20216	20W



Driver 24V IP20 Dim 30W Constant Voltage Dimmable LED Driver



Description

DRIVER-24V-IP20-DIM Series are a range of indoor Triac Dimmable 24V DC Constant Voltage LED Indoor Drivers for use with LED strip lighting, inground uplighters, garden spike lighting and much more. Secondary side short circuit protection. Thermal overload protection, over temperature protection and over voltage protection. Complete with 1M flex and plug. Fully dimmable with suitable dimmers. Indoor use only. Choose from 12W, 20W, 30W, 40W, 60W, 80W and 100W wattages. Parallel wiring. Backed by a 5 Year replacement Warranty.

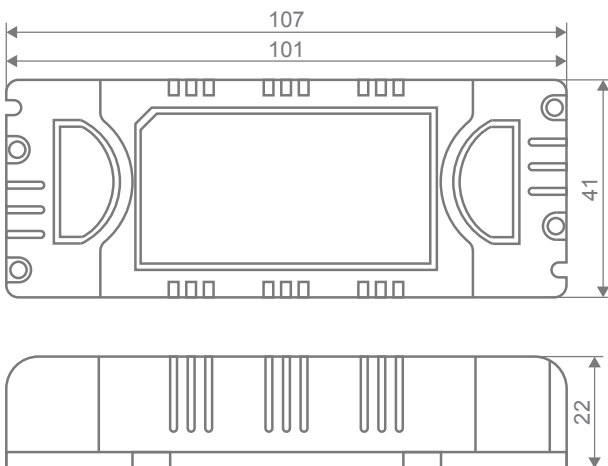


Specification Features

Input Voltage:	240V AC
Power (W):	30W
Output Voltage:	24V DC
Output Current:	1.25A
Dimmable:	Yes
IP rating (IP):	IP20
Efficiency:	up to 89%; PF>0.95
Weight (g):	106
Size (mm):	107x41x22

Diagrams / Additional

Item No.	Variant	Wattage
DRIVER-24V-IP20-DIM	20217	30W



Driver 24V IP20 Dim 60W

Constant Voltage Dimmable LED Driver



Description

DRIVER-24V-IP20-DIM Series are a range of indoor Triac Dimmable 24V DC Constant Voltage LED Indoor Drivers for use with LED strip lighting, inground uplighters, garden spike lighting and much more. Secondary side short circuit protection. Thermal overload protection, over temperature protection and over voltage protection. Complete with 1M flex and plug. Fully dimmable with suitable dimmers. Indoor use only. Choose from 12W, 20W, 30W, 40W, 60W, 80W and 100W wattages. Parallel wiring. Backed by a 5 Year replacement Warranty.

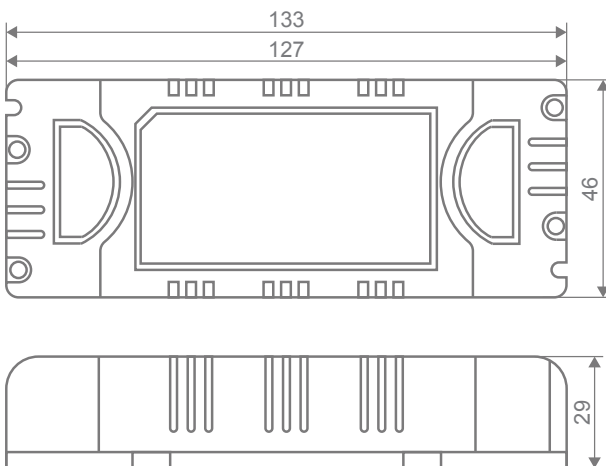


Specification Features

Input Voltage:	240V AC
Power (W):	60W
Output Voltage:	24V DC
Output Current:	2.5A
Dimmable:	Yes
IP rating (IP):	IP20
Efficiency:	up to 89%; PF>0.95
Weight (g):	160
Size (mm):	133x46x29

Diagrams / Additional

Item No.	Variant	Wattage
DRIVER-24V-IP20-DIM	20219	60W



Driver 24V IP20 Dim 100W

Constant Voltage Dimmable LED Driver



Description

DRIVER-24V-IP20-DIM Series are a range of indoor Triac Dimmable 24V DC Constant Voltage LED Indoor Drivers for use with LED strip lighting, inground uplighters, garden spike lighting and much more. Secondary side short circuit protection. Thermal overload protection, over temperature protection and over voltage protection. Complete with 1M flex and plug. Fully dimmable with suitable dimmers. Indoor use only. Choose from 12W, 20W, 30W, 40W, 60W, 80W and 100W wattages. Parallel wiring. Backed by a 5 Year replacement Warranty.



Specification Features

Input Voltage:	240V AC
Power (W):	100W
Output Voltage:	24V DC
Output Current:	4.17A
Dimmable:	Yes
IP rating (IP):	IP20
Efficiency:	up to 89%; PF>0.95
Weight (g):	500
Size (mm):	189x65x30

Diagrams / Additional

Item No.	Variant	Wattage
DRIVER-24V-IP20-DIM	20221	100W

