

Flare-200

Commercial LED Flood Light (Flex and plug)



Description

FLARE Series Commercial LED Floodlights are built for dependable performance across commercial, industrial and sporting applications. Designed to suit demanding Australian conditions, the range offers a practical, flexible solution that simplifies project selection and installation with a variety of different beam angle lens options.

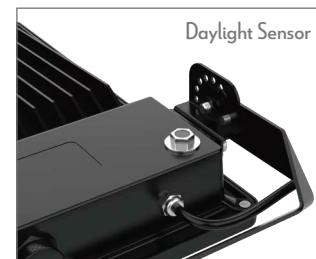
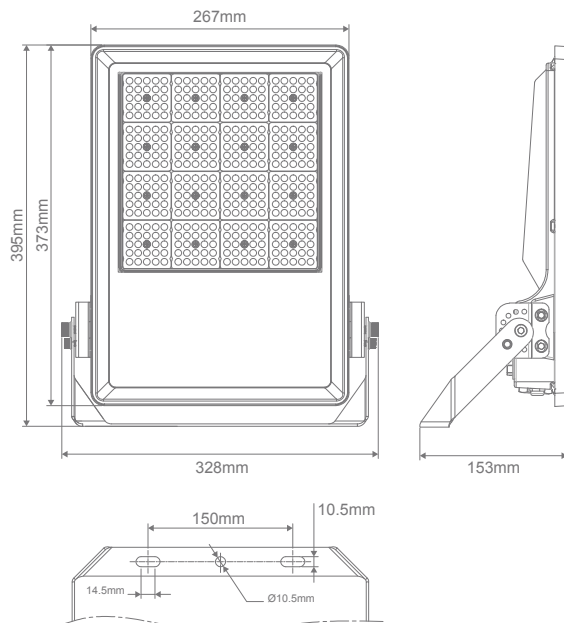
The C5 Marine Grade black powder coated aluminium body delivers a clean architectural look, while the clear glass lens provides strong, even illumination suited to large open areas. Supplied with 2M flex and plug plus an adjustable mounting bracket, it is ready for straightforward installation. Optional bracket accessories are available for specialised mounting requirements.

Specification Features

Input Voltage:	240V AC		
Power (W):	120W / 160W / 200W		
IP rating (IP):	IP65		
IK Rating (IK):	IK08		
Lumens (lm):	120W	160W	200W
Neutral White 4000K	17060lm	22417.4lm	27267lm
White 5000K	17060lm	22417.4lm	27267lm
CCT:	4000K - 5000K		
CRI:	≥80		
Surge Protection:	10KV		
Cable:	2M flex and plug		
Sensor:	Built-in daylight sensor		
Standard Beam Angle (°):	120°		
Optional Beam Angles (°):	30°, 60°, 90°		
	T2M, T3M, T4M & 110x45°		
Dimmable:	No		
Average Lifespan (hrs):	50,000hrs		



Diagrams / Additional



Item No.	Variant								CCT
	120°	90°	60°	30°	T2M	T3M	T4M	Tennis	
FLARE-200	19200	19201	19202	19203	19204	19205	19206	19207	4000K
	19209	19210	19211	19212	19213	19214	19215	19216	5000K

Item No.	Variant
FLARE-CNR-BKT	19288

Item No.	Variant		
	50cm	100cm	120cm
FLARE-SIGN-BKT	19290	19291	19292

Flare-300

Commercial LED Flood Light (Flex and plug)



Description

FLARE Series Commercial LED Floodlights are built for dependable performance across commercial, industrial and sporting applications. Designed to suit demanding Australian conditions, the range offers a practical, flexible solution that simplifies project selection and installation with a variety of different beam angle lens options.

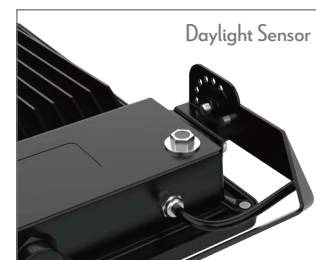
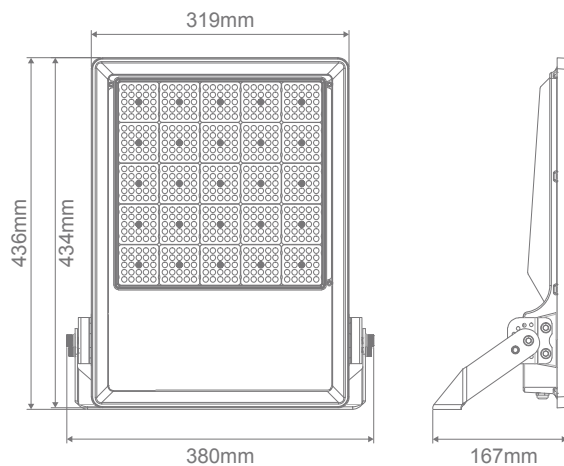
The C5 Marine Grade black powder coated aluminium body delivers a clean architectural look, while the clear glass lens provides strong, even illumination suited to large open areas. Supplied with 2M flex and plug plus an adjustable mounting bracket, it is ready for straightforward installation. Optional bracket accessories are available for specialised mounting requirements.

Specification Features

Input Voltage:	240V AC		
Power (W):	180W / 240W / 300W		
IP rating (IP):	IP65		
IK Rating (IK):	IK08		
Lumens (lm):	180W	240W	300W
Neutral White 4000K	27797.9lm	35445.4lm	42695.1lm
White 5000K	27797.9lm	35445.4lm	42695.1lm
CCT:	4000K - 5000K		
CRI:	≥80		
Surge Protection:	10KV		
Cable:	2M flex and plug		
Sensor:	Built-in daylight sensor		
Standard Beam Angle (°):	120°		
Optional Beam Angles (°):	30°, 60°, 90°		
	T2M, T3M, T4M & 110x45°		
Dimmable:	No		
Average Lifespan (hrs):	50,000hrs		



Diagrams / Additional



Item No.	Variant								CCT
	120°	90°	60°	30°	T2M	T3M	T4M	Tennis	
FLARE-300	19218	19219	19220	19221	19222	19223	19224	19225	4000K
	19227	19228	19229	19230	19231	19232	19233	19234	5000K

Item No.	Variant
FLARE-CNR-BKT	19288

Item No.	Variant		
	50cm	100cm	120cm
FLARE-SIGN-BKT	19290	19291	19292

Flare-400

Commercial LED Flood Light (Flex and plug)



Description

FLARE Series Commercial LED Floodlights are built for dependable performance across commercial, industrial and sporting applications. Designed to suit demanding Australian conditions, the range offers a practical, flexible solution that simplifies project selection and installation with a variety of different beam angle lens options.

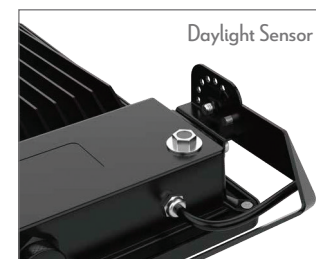
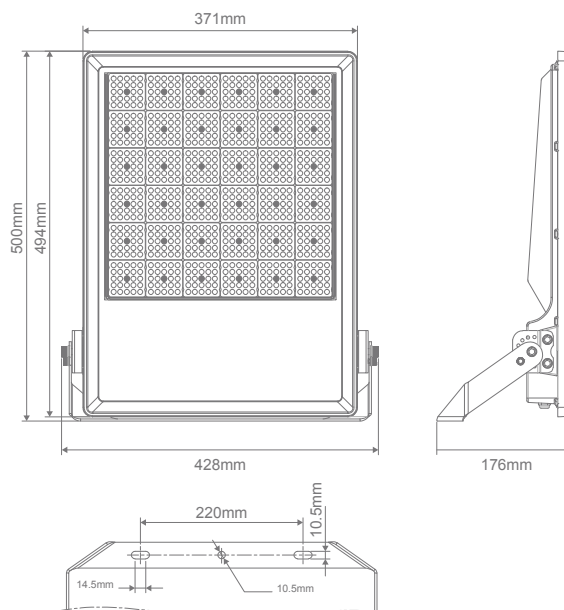
The C5 Marine Grade black powder coated aluminium body delivers a clean architectural look, while the clear glass lens provides strong, even illumination suited to large open areas. Supplied with 2M flex and plug plus an adjustable mounting bracket, it is ready for straightforward installation. Optional bracket accessories are available for specialised mounting requirements.

Specification Features

Input Voltage:	240V AC		
Power (W):	240W / 320W / 400W		
IP rating (IP):	IP65		
IK Rating (IK):	IK08		
Lumens (lm):	240W	320W	400W
Neutral White 4000K	36888.8lm	47794.7lm	57670.4lm
White 5000K	36888.8lm	47794.7lm	57670.4lm
CCT:	4000K - 5000K		
CRI:	≥80		
Surge Protection:	10KV		
Cable:	2M flex and plug		
Sensor:	Built-in daylight sensor		
Standard Beam Angle (°):	120°		
Optional Beam Angles (°):	30°, 60°, 90°		
	T2M, T3M, T4M & 110x45°		
Dimmable:	No		
Average Lifespan (hrs):	50,000hrs		



Diagrams / Additional



Item No.	Variant								CCT
	120°	90°	60°	30°	T2M	T3M	T4M	Tennis	
FLARE-400	19236	19237	19238	19239	19240	19241	19242	19243	4000K
	19245	19246	19247	19248	19249	19250	19251	19252	5000K

Item No.	Variant
FLARE-CNR-BKT	19288

Item No.	Variant		
	50cm	100cm	120cm
FLARE-SIGN-BKT	19290	19291	19292