

Installation Manual

CELL-13

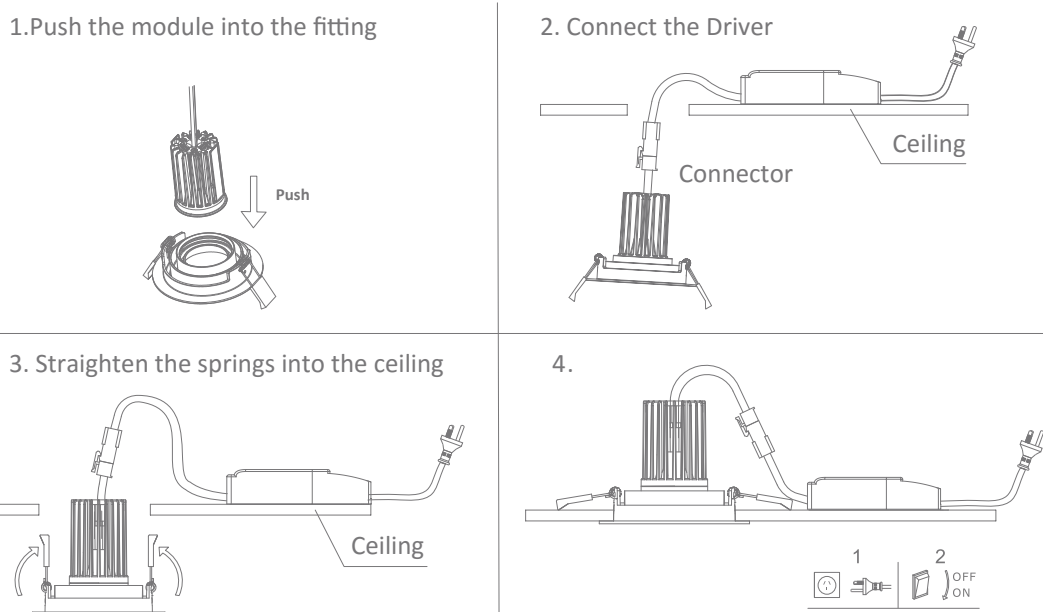
Date: 11/2020

Variants				Item No.
60°	36°	24°	15°	
26984	26985	26986	26987	CELL-13-5CCT

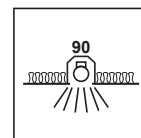
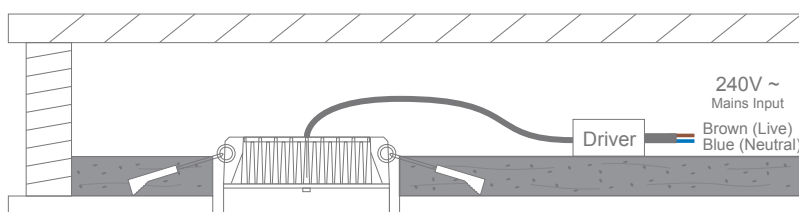
Thank you for purchasing your new CELL-13-5CCT, Please take the time to read and understand the instruction sheet below. Failure to do so may void warranty.

Specifications

Voltage:	240V	Lumen (±5%):	Extra Warm White 2700K - 965lm Warm White 3000K - 975lm Neutral White 4000K - 1050lm White 5000K - 1092lm Extra White 5700K - 1160lm	Dimmable:	Yes
Power:	13	Beam Angle:	15°/24°/36°/60°	Operating Temp:	-10 - 40°C
IP Rating:	IP44	CCT:	2700K - 3000K - 4000K - 5000K - 5700K (Switchable)		
CRI:	≥80	Lifespan:	50,000hrs		



90°C limit on side or top or mounting surface of luminaire



Note:

- The Luminaire and the driver are NOT suitable for covering with insulation material.
- If the external flexible cable is damaged, it needs to be replaced by the manufacturer or his service agent.
- The light source of this luminaire is not replaceable; at the end of life the whole luminaire should be replaced.

Note: -The lamp must be installed by professional electrician
-Ensure the power supply is switched off before fitting this product

-Do not touch the lamp when in use
-Keep away from hot steam and corrosive gas