

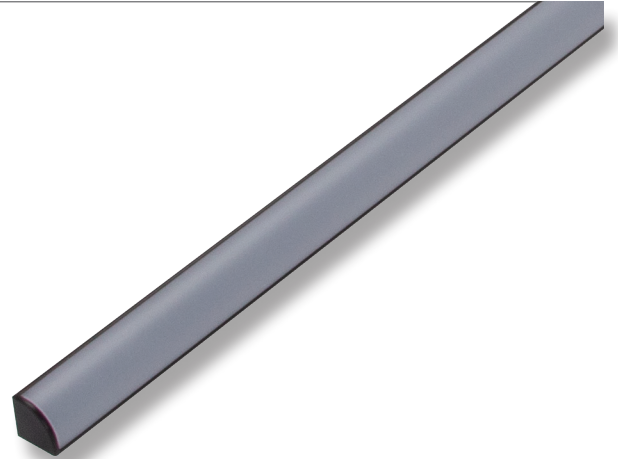


CORNER-16-RND

LED Mounting Profile

Description

Introducing the CORNER-16-RND mounting profile system. The CORNER-16-RND is specifically designed for the Domus range of LED strip lighting. This aluminium mounting profile system incorporated extruded profile complete with a curved opal colour PMMA diffuser. The key features of the CORNER-16-RND is the ability to not only conceal the LED strip lighting but also keep the strip lighting linear. Also, the CORNER-16-RND keeps LEDs free from foreign objects and vapours which may damage the LEDs. Another key point is in the mounting of this profile. Specifically designed to be mounted against hard surfaces, under shelving or steps with the ability to focus the light on a 45° angle. Perfect for under kitchen cupboards, built-in wardrobes and stairs where angled on the working surface is needed.



Specification Features

Installation:	Surface mounted
Material:	Extruded aluminium 6063
Finish:	Natural clear anodised
Diffuser:	Curved (PMMA) opal/frost colour
Length (mm):	2500mm continuous*
Size (mm):	Profile (W) 16mm, (H) 16mm
Accessories (each):	End caps (silver) and mounting clips**
Special:	Custom powder coated colour upon request***
Driver Installation:	Remote driver required (not included)

* Profile sold per meter. Can be cut to suit any length.

** Accessories to be ordered separately.

*** Special powder coat finishes upon request. Surcharges apply.



Brushed Aluminium Finish

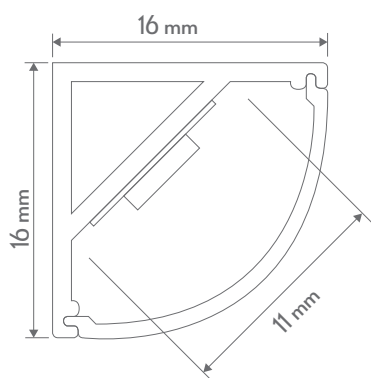


White Finish

Compatible LED Strip Lighting

7.2	14.4	19.2
•	•	•

Diagrams / Additional



Item No.	Variant			Details
	Alu	Blk	Wht	
CORNER-16-RND	22026	22070	22071	Sold per 1 metre