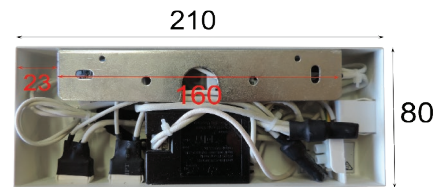
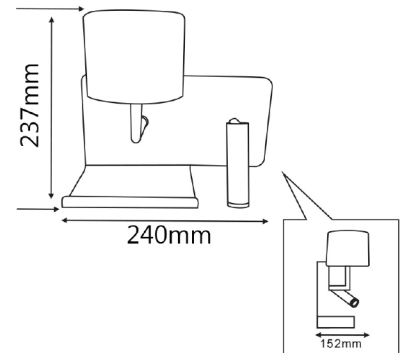




## VIGO SERIES

LED Interior Surface Mounted Wall / Reading Lights with USB Function

- Input voltage: 220-240V AC 50/60Hz
- Inbuilt constant current LED driver included
- Driver output voltage: 2.5-4V & 12-22V
- Driver input current: 0.1A & 0.11A
- Driver output current: 0.7A & 0.3A
- Power factor: 0.5
- Material: iron & aluminium powder coated white
- Ambient Temp: -20 to 50°C (The life of the lamp will gradually reduce if used outside these temperature parameters)
- Not suitable for dimming
- Suitable for 2-way switching
- Suitable for use with PIR & Microwave sensors



Back Plate

**30,000hr**  
Lifetime

**120°**  
Beam Angle

**IP20**  
Rated

**2YEAR**  
Replacement  
Warranty

PART NO.	KELVIN (K)	LUMENS (LM)	Lumious Efficiency (lm/W)	WATT (W)	LEDs	CRI	WEIGHT (Kg)	BOX (cm)	CARTON QTY
<b>VIGOL</b>	3000	900	90	6+3	30pcs 2835 + 1pc 3535	>=80	1.88	38.5x17.5x13.5	6
<b>VIGOR</b>	3000	900	90	3+6	1pc 3535 + 30pcs 2835	>=80	1.88	38.5x17.5x13.5	6

Brochure updated on 30.05.2018