

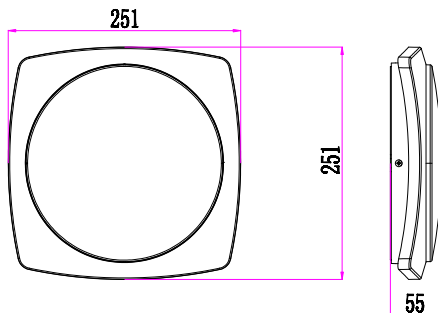
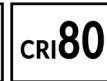
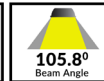
## ULAN SERIES

Exterior LED Wall / Ceiling Lights



### Product Features:

- Input voltage: 220-240V AC 50/60Hz
- Output voltage: 225-245V
- Input current: 0.095A
- Output current: 0.095A
- Inrush current: 1.5A
- Housing: powder coated aluminium
- Diffuser: PC
- Bracket: PC
- LED chip: 25pcs 2835
- Power factor: >0.9
- Ambient Temp: -20 to 50°C
- Suitable for 2-way switching
- Suitable for use with PIR or Microwave sensors



| Part No.   | ULAN1                   |
|------------|-------------------------|
| Colour     | Powder coated dark grey |
| Kelvin     | 3000K                   |
| Lumens     | 980lm                   |
| Watt       | 20W                     |
| Weight     | 1.4kg                   |
| Box        | 26x26x7cm               |
| Carton QTY | 1/4                     |

| Part No.   | ULAN2               |
|------------|---------------------|
| Colour     | Powder coated white |
| Kelvin     | 3000K               |
| Lumens     | 980lm               |
| Watt       | 20W                 |
| Weight     | 1.4kg               |
| Box        | 26x26x7cm           |
| Carton QTY | 1/4                 |



Onboard Inbuilt Driver

UPDATED ON 06.09.2018