



T8 5FT LED TUBE LIGHT

- Input voltage: 240V AC 50/60Hz
- SMD2835 LED chips
- Wattage:
- Power factor: ≥ 0.9
- PC heat sink
- For indoor use only
- Ambient temp: -20 to 45°C
- Not suitable for use with dimmers
- Not suitable for 2-way switching
- Suitable for use with sensors

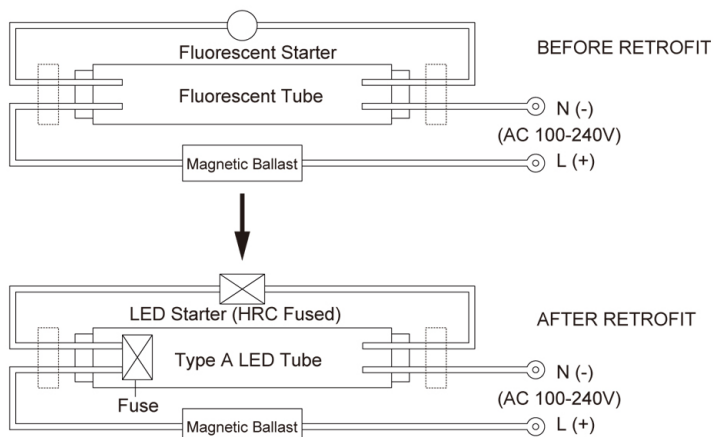


40,000hr Lifetime	165° Beam Angle	IP20 Rated	3YEAR Replacement Warranty
----------------------	--------------------	----------------------	---

CODE	DESCRIPTION	KELVIN (K)	LUMENS (LM)	WATT (W)	CRI	BEAM ANGLE	IP	DIMM	LENGTH (mm)	DIAM (mm)	CARTON QTY
PT827D5FT	GLOBE LED T8 TUBE	6500	2700	27	80	165°	IP20	NO	1513	28	25

INSTALLATION INSTRUCTIONS

Wiring example of a single circuit luminaire with magnetic ballast



Brochure updated on 18.10.2018